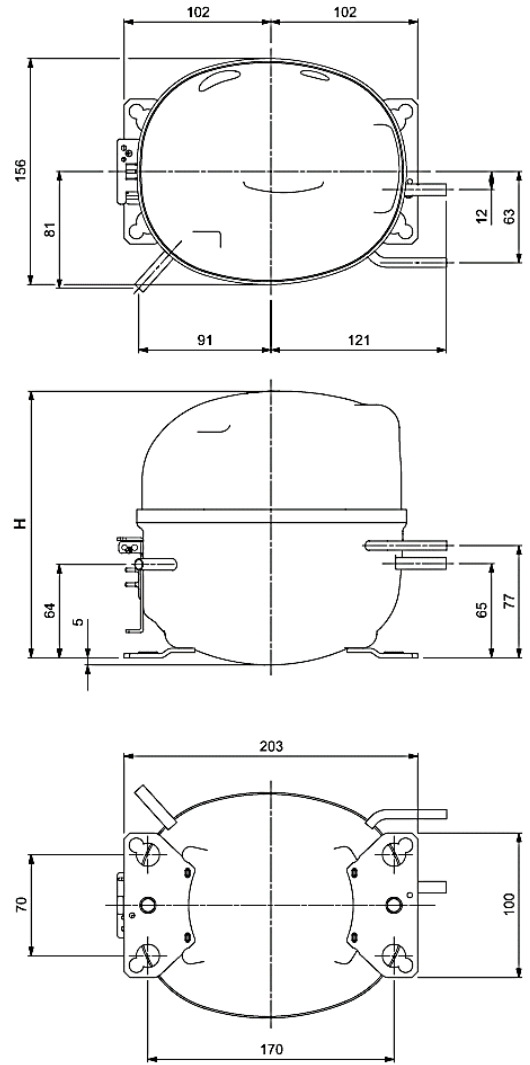
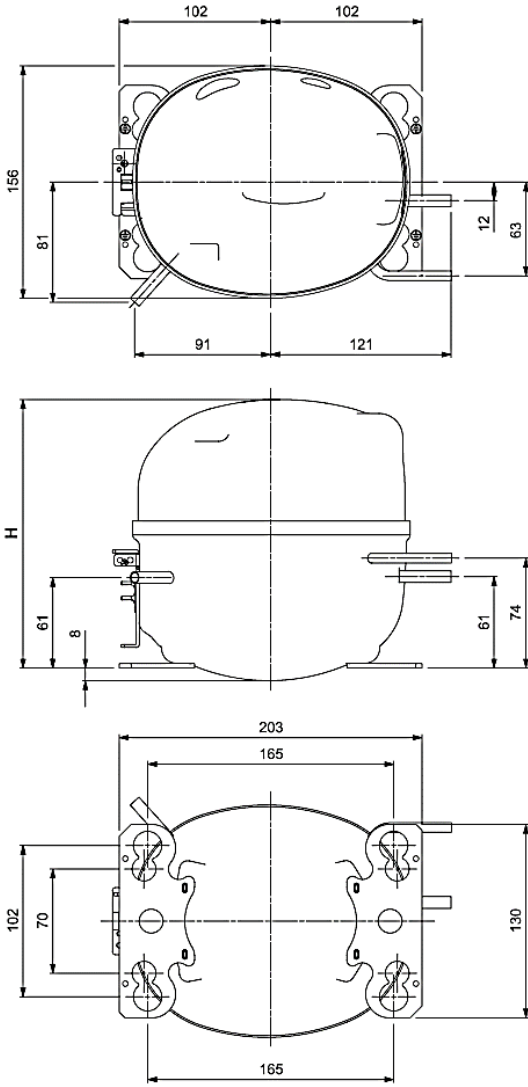


## MS Series (Universal Type)

## MS Series (European Type)



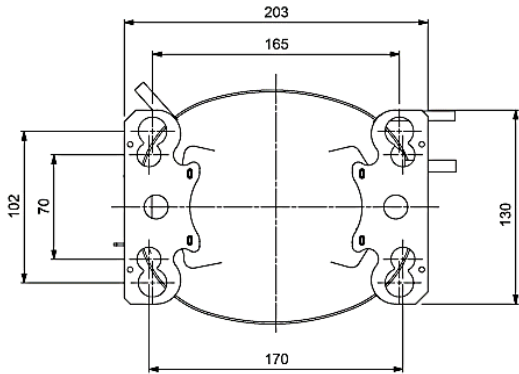
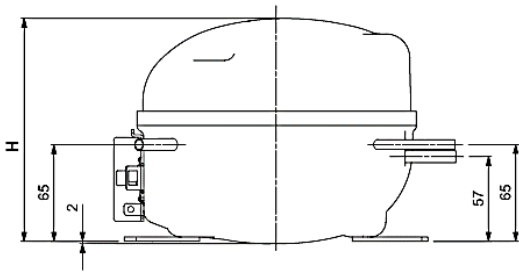
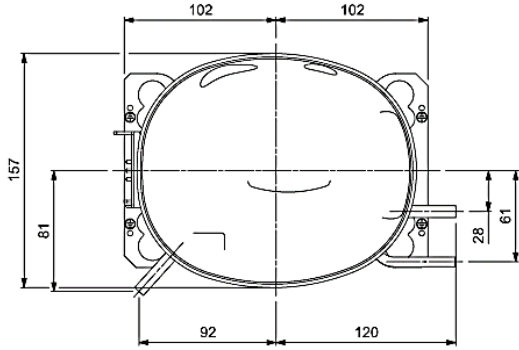
Height [mm]		
Grade	Cooling Type	H
43/51GR	Static	169
62/70/A2GR		173

Height [mm]		
Grade	Cooling Type	H
43/51GR	Static	172
62/70/A2GR		177

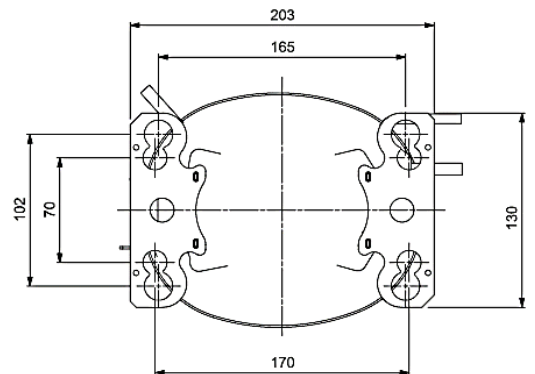
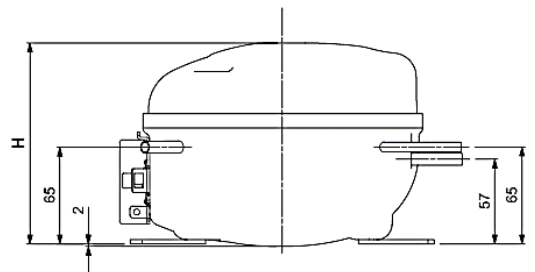
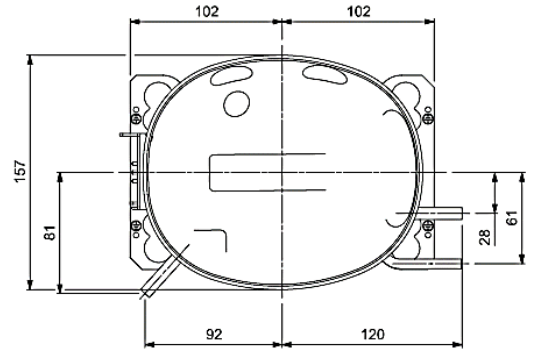
Tube Connection [mm]		
Tubing	Material	O.D [T:0.7]
(D) Discharge	Copper	6.35
(S) Suction		7.94
(P) Process		7.94

Tube Connection [mm]		
Tubing	Material	O.D [T:0.7]
(D) Discharge	Copper	6.35
(S) Suction		7.94
(P) Process		7.94

## MSV, MV Series (Universal Type)



## NN Series (Universal Type)



Height [mm]		
Grade	Cooling Type	H
62/72/88/90 /A1 GR	Static	149

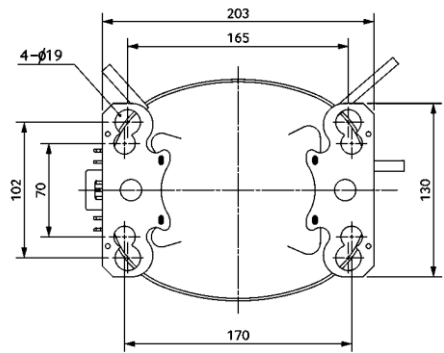
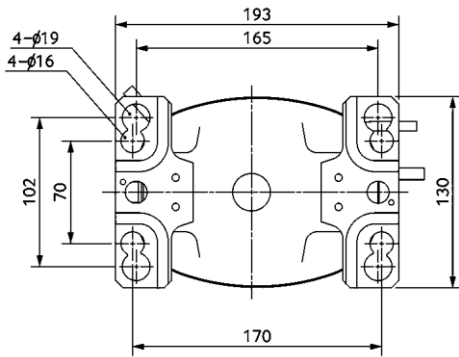
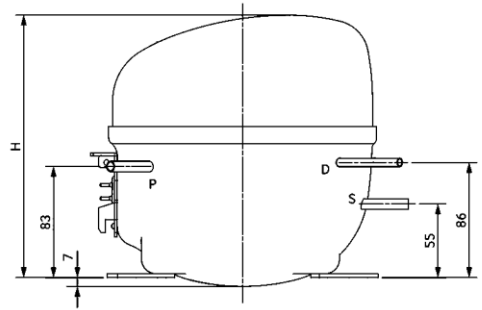
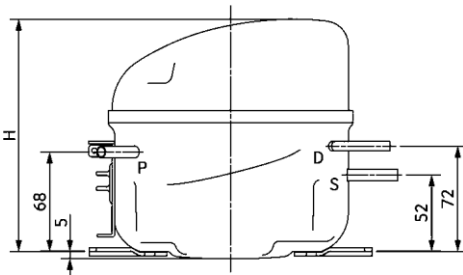
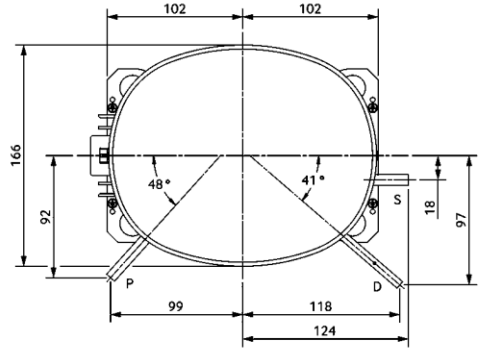
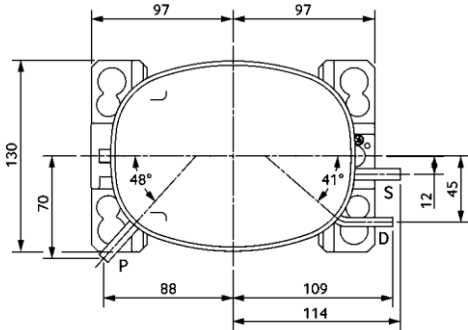
Height [mm]		
Grade	Cooling Type	H
60/90/11 GR	Static	129

Tube Connection [mm]		
Tubing	Material	O.D [T:0.7]
(D) Discharge	Copper	6.35
(S) Suction		7.94
(P) Process		7.94

Tube Connection [mm]		
Tubing	Material	O.D [T:0.7]
(D) Discharge	Copper	6.35
(S) Suction		7.94
(P) Process		7.94

## CD Series (Universal Type)

## ENV, EV Series (Universal Type)



Height [mm]		
Grade	Cooling Type	H
24/30 GR	Static	157

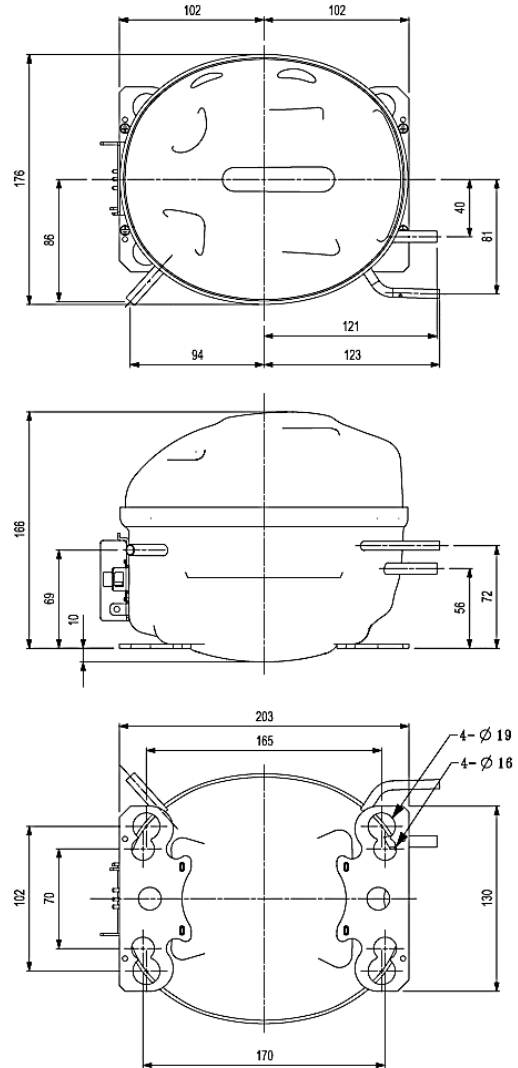
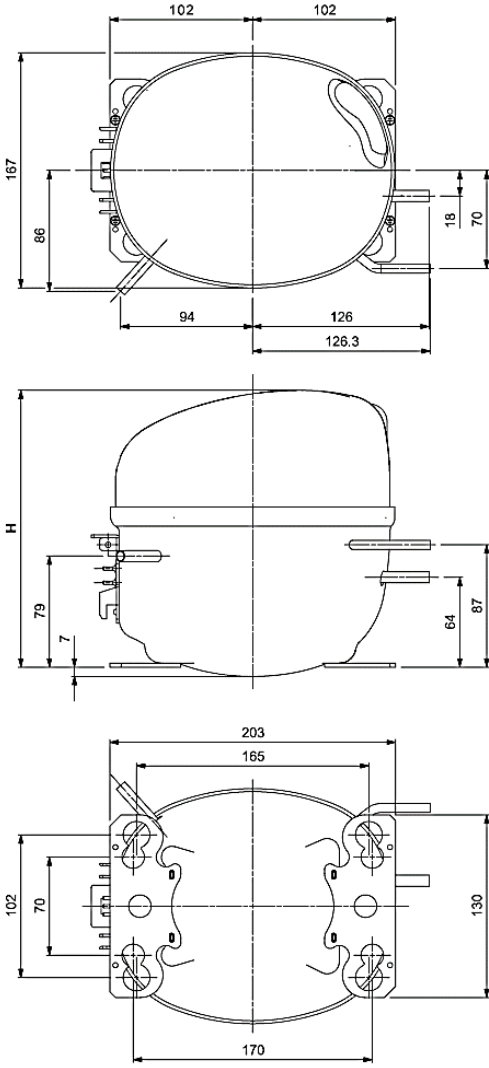
Height [mm]		
Grade	Cooling Type	H
A3/A5 GR	Fan	183

Tube Connection [mm]		
Tubing	Material	O.D [T:0.7]
(D) Discharge	Copper	6.35
(S) Suction		7.94
(P) Process		7.94

Tube Connection [mm]		
Tubing	Material	O.D [T:0.7]
(D) Discharge	Copper	6.35
(S) Suction		7.94
(P) Process		7.94

## NF2 Series (Universal Type)

## NF3, NF5 Series (Universal Type)



Height [mm]		
Grade	Cooling Type	H
11/13 GR	Fan	191

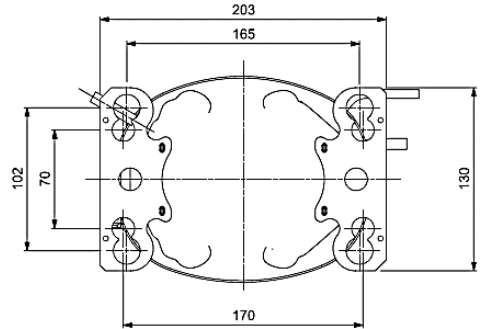
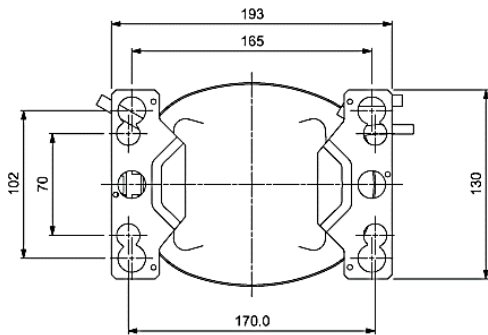
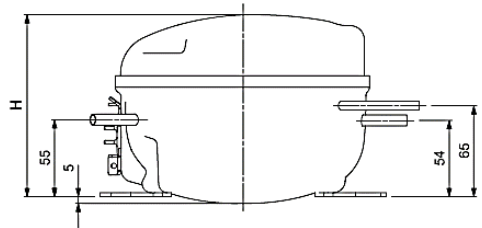
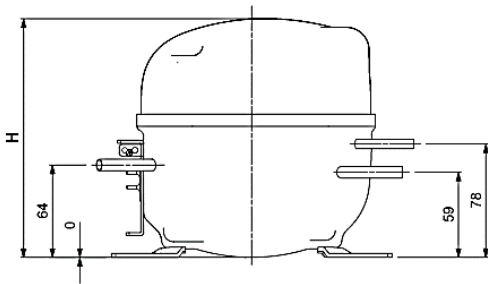
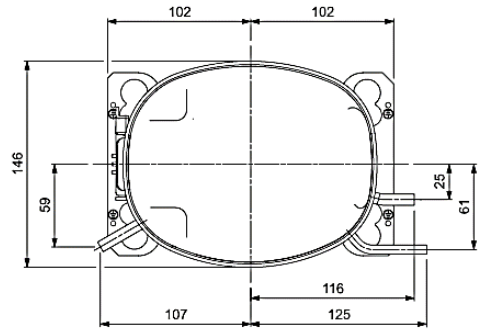
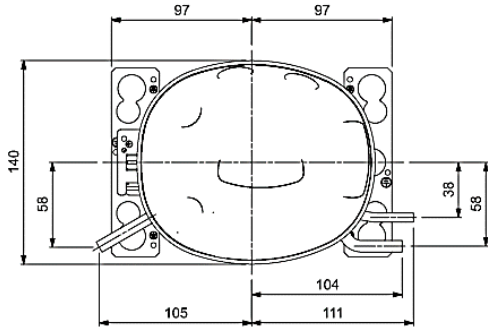
Height [mm]		
Grade	Cooling Type	H
13/15 GR	Fan	167

Tube Connection [mm]		
Tubing	Material	O.D [T:0.7]
(D) Discharge	Copper	6.35
(S) Suction		7.94
(P) Process		7.94

Tube Connection [mm]		
Tubing	Material	O.D [T:0.7]
(D) Discharge	Copper	6.35
(S) Suction		7.94
(P) Process		7.94

## A Series (Universal Type)

## AV Series (Universal Type)



Height [mm]		
Grade	Cooling Type	H
30/37/51 GR	Static	164
43/62/70 GR		169

Height [mm]		
Grade	Cooling Type	H
60/80 GR	Fan	129

Tube Connection [mm]		
Tubing	Material	O.D [T:0.7]
(D) Discharge	Copper	6.35
(S) Suction		7.94
(P) Process		7.94

Tube Connection [mm]		
Tubing	Material	O.D [T:0.7]
(D) Discharge	Copper	6.35
(S) Suction		7.94
(P) Process		7.94

# TEST CONDITIONS FOR APPLICATION

Test Conditions for Application		ASHRAE			
		LBP	MBP	HBP	DBP
Evaporating Temp.	°C	-23.3	-6.7	7.2	7.2
	°F	-10.0	-20.0	45.0	45.0
Condensing Temp.	°C	54.4	54.4	54.4	54.4
	°F	130.0	130.0	130.0	130.0
Gas Superheated to	°C	32.2	35.0	35.0	35.0
	°F	90.0	95.0	95.0	95.0
Liquid sub-cooled to	°C	32.2	46.1	46.1	46.1
	°F	90.0	115.0	115.0	115.0
Ambient Temp.	°C	32.2	35.0	35.0	35.0
	°F	90.0	95.0	95.0	95.0

## MOTOR TYPE

- RSIR : Resistance Start Induction Run
- RSCR : Resistance Start Capacitor Run
- CSIR : Capacitor Start Induction Run
- CSR : Capacitor Start Capacitor Run

## UNIT CONVERSION

- 1 watt = 3.41 Btu/Hr
- 1 watt = 0.86 Kcal/Hr
- 1 Kcal/Hr = 3.97 Btu/Hr