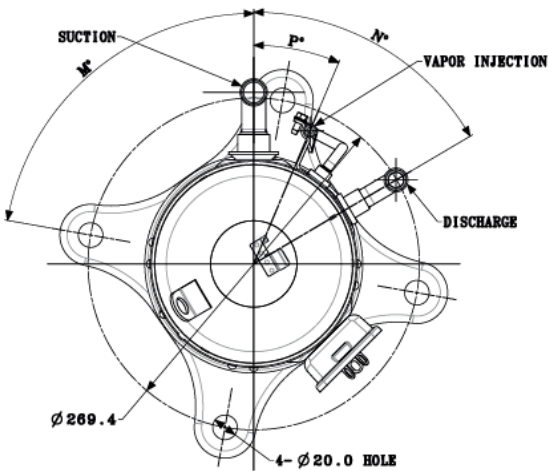
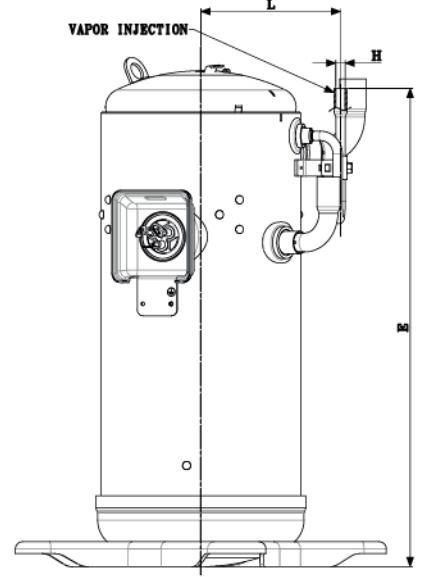
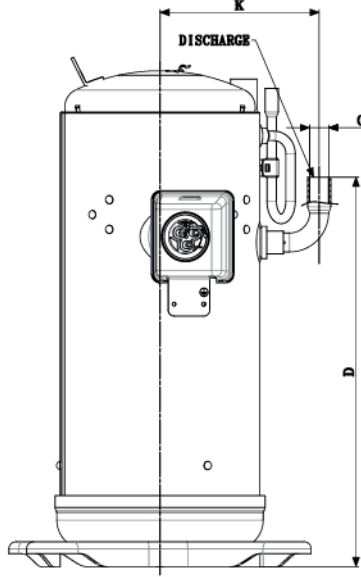
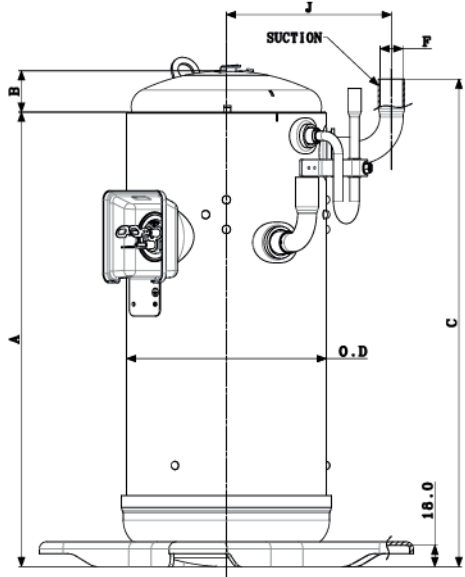
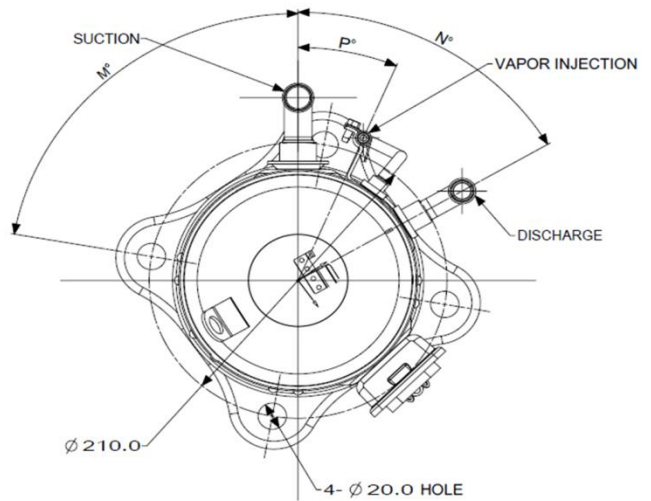


(UNIT:mm)

Type	FOOT TYPE	O.D	A	B	C	D	E	F	G	H	J	K	L	M	N	P
1	I	Ø146.2	379.8	29.1	406.5	327.8	399.8	19.20	16.05	8.15	127.9	123.6	106.8	80°	59.5°	21.4°
2	II	Ø146.2	374.2	29.1	400.9	322.2	394.2	22.40	16.05	8.15	127.9	123.6	106.8	80°	59.5°	21.4°
3	I	Ø168.4	382.8	34.8	410.6	328.0	402.8	19.20	16.05	8.15	139.2	134.2	116.8	80°	59.5°	22.8°
4	I	Ø168.4	419.8	34.8	441.4	358.8	439.8	19.20	16.05	8.15	139.2	134.2	116.8	80°	59.5°	22.8°
5	II	Ø168.4	419.8	34.8	441.4	358.8	439.8	22.40	16.05	8.15	139.2	134.2	116.8	80°	59.5°	22.8°
6	I	Ø168.4	419.8	34.8	441.4	358.8	439.8	19.20	16.05	8.15	139.2	134.2	116.8	80°	59.5°	22.8°
7	II	Ø168.4	462.2	34.8	479.4	391.8	482.2	25.58	16.05	8.15	139.2	134.2	116.8	80°	59.5°	22.8°



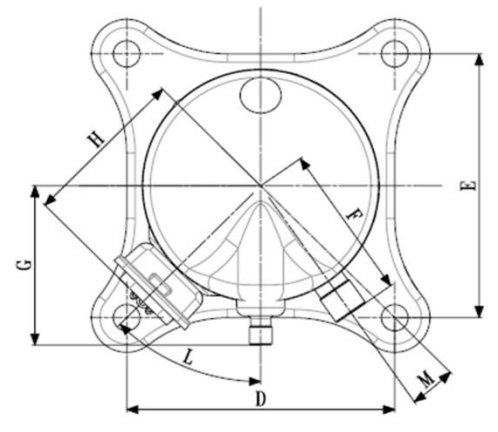
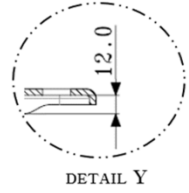
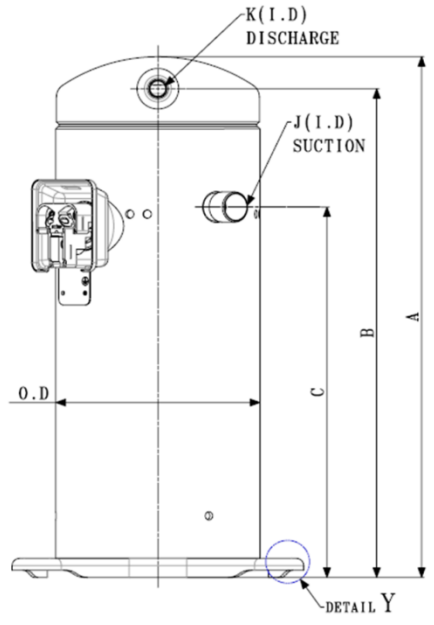
<FOOT TYPE I >



<FOOT TYPE II >

(UNIT:mm)

Type	FOOT TYPE	O.D	A	B	C	D	E	F	G	H	J (I.D)	K(I.D)	L	M
8	III	Ø166.4	430.0	403.0	309.0	190.5	190.5	111.7	115.4	118.4	Φ22.4	Φ12.9	45°	14°



<FOOT TYPE III>