

MC17F808KDT

1.7 cu. ft. Over-the-Range Convection Microwave

Features

- 1.7 cu. ft. Oven Capacity
- 900 W Microwave Cooking Power
- 1500 W Convection
- 900 W Grill
- Slim Fry™
- Simple Clean Filter
- LED Cooktop Light
- Ceramic Enamel Interior
- Steam Clean
- 115 Preset Menu Options
- 300 CFM Ventilation System
- Charcoal/Grease Vent Filter
- 10 Power Levels
- 12 Sensor Cook Options
- Two-Stage Programmable Cooking
- Auto Defrost/Sensor Reheat
- Auto Cook: Kids Meals (4), Snacks (4), Soften/Melt (4), 1 lb. Defrost, Auto Defrost, Custom Cook

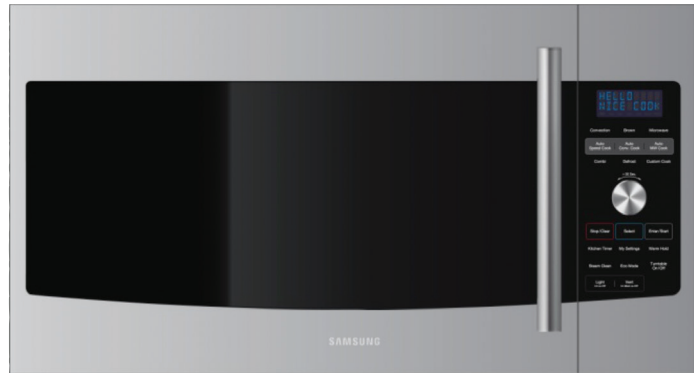
Convenience

- Clock (12hr/24hr) with Daylight Saving Time Adjustment
- Kitchen Timer
- End Signal
- Interior Light: Halogen (1)
- LED Cooktop Lighting (2): High/Low/Off
- Vent Fan Control: Turbo/Hi/Low/Off
- Child Safety Lock
- Sound On/Off
- Eco Mode (reduces standby power)



Ranked **"Highest in Customer Satisfaction with Over the Range Microwaves."***

– J.D. Power



Convection Cooking



LED Cooktop Light

Available Colour



Stainless Steel

Signature Features

CONVECTION COOKING

- All in one powerful appliance: convection oven for even cooking, toaster oven, broiler, microwave oven and range hood.

SLIM FRY™

- With breakthrough Slim Fry™ technology, you can prepare great-tasting and healthier foods without the use of oil. Hot air is circulated in such a way that your favourite foods, like french fries and chicken nuggets, are cooked to crispy perfection in minutes.

LED COOKTOP LIGHT

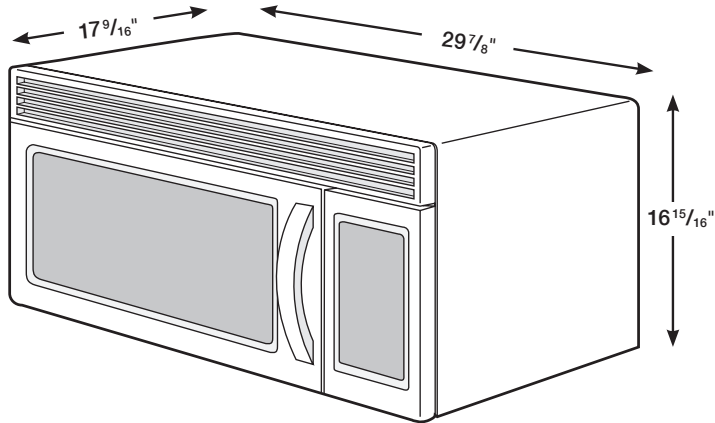
- LED lights are significantly brighter than halogen or incandescent bulbs and save more energy. It evenly distributes a soft, bright light across your cooktop.

SAMSUNG

MC17F808KDT

1.7 cu. ft. Over-the-Range Convection Microwave

Dimensions

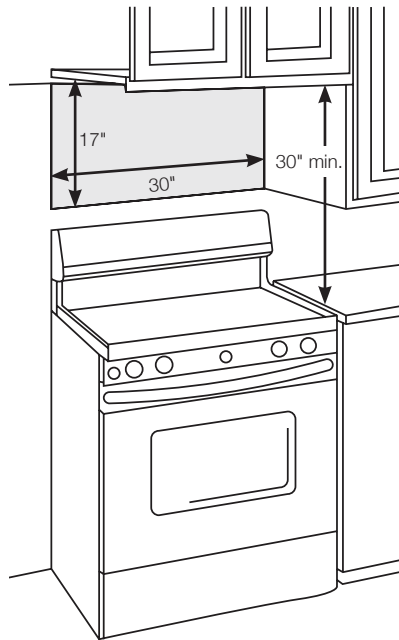


Installing Your Microwave

This microwave oven is designed for adaptation to the following three types of ventilation:

- A. Outside Top Exhaust (Vertical Duct)
- B. Recirculating (Non-Vented Ductless)
- C. Outside Back Exhaust (Horizontal Duct)

- The space between the cabinets must be 30" wide and free of obstructions.
- This microwave oven is for installation over ranges up to 36" wide.
- The microwave must be level. Use a level to make sure the cabinet bottom is level. If the cabinets have a front overhang only, with no back or side frame, install the mounting plate down the same distance as the front overhang depth. This will keep the microwave level.



For easier installation and personal safety, we recommend that two people install this microwave oven.

IMPORTANT: Do not grip or use handle during installation.

NOTE: If your cabinet is metal, use the nylon grommet around the power cord hole to prevent cutting of the cord.

NOTE: We recommend using filler blocks if the cabinet front hangs below the cabinet bottom shelf.

IMPORTANT: If filler blocks are not used, case damage may occur from over-tightening screws.

NOTE: When mounting the microwave oven, thread power cord through hole in bottom of top cabinet. Do not pinch cord or lift oven by pulling cord.

Specifications

- Oven Cavity: 1.7 cu. ft.
- Power Output: 900 W
- Microwave Cooking Power
 - 1500 W Convection
 - 900 W Grilling
- Power Consumption: 1500 W/14.5 A
- Power Source: 120 V/60 Hz
- Control Method: Glass Touch + Knob
- Display: 2 Line VFD
- Cooking Control: 10 Power Levels including Defrost
- Cooking Timer: Digital, up to 99 Minutes, 99 Seconds
- Microwave Distribution System: Stirrer + Turntable
- Glass Turntable Diameter: 13 3/16"
- Vent Fan: 300 CFM
- Vent Fan Control: Turbo/Hi/Low/Off
- LED Cooktop Lighting: High/Low/Off
- Halogen Interior Light

Warranty

One (1) Year All Parts and Labour
Ten (10) Years Parts on Magnetron

Product Dimensions & Weight (WxHxD)

Outside Net Dimensions:
29 7/8" x 16 15/16" x 17 9/16"

Interior Cavity Dimensions:
20 1/8" x 10 5/16" x 14"

Weight: 77 lbs.

Shipping Dimensions & Weight (WxHxD)

Dimensions:
33 3/8" x 19 7/16" x 20 3/16"

Weight: 87 lbs.

Colour	Model #	UPC Code
Stainless Steel	MC17F808KDT	887276564029

SAMSUNG

*Samsung received the highest numerical score for over the range microwaves in the proprietary J.D. Power 2014 Kitchen Appliance Study.SM Study based on 15,380 total responses measuring 15 over the range microwave brands and measures opinions of consumers about their new appliance purchased in the past 24 months. Proprietary study results are based on experiences and perceptions of consumers surveyed in January-March 2014. Your experiences may vary. Visit jdpower.com.

Actual color may vary. Design, specifications, and color availability are subject to change without notice. Non-metric weights and measurements are approximate. Clearance requirements are the recommended minimum only. Check the regulations and codes in your area for any additional requirements.

© 2015 Samsung Electronics Canada Inc. All rights reserved. Samsung is a registered trademark of Samsung Electronics Co., Ltd., used with permission.