

SAMSUNG

Redemption details

Promotion Period: 31 Mar – 26 Apr 2018	Redemption Centre: Letrain Redemption Office 2 Havelock Road, Havelock II Retail Mall #03-03/04, Singapore 059763 Tel: 6336 4688 Email: enquiries@letrain.com.sg	Operation Hours: Monday to Saturday: 11.30am to 7.30pm Closed on Sunday & Public Holidays
Redemption Period: 2 Apr – 1 Jun 2018		

Redemption Documents needed for self-collection of gift(s):

- Fully completed and signed original Gift Redemption Form
- Proof of purchase including original invoices / sales order confirmation together with receipt
- Cut-out of serial number from carton box (for audit accountability purpose)
- Original NRIC / Passport (We will collect NRIC / Passport number for audit accountability purpose)
- If Redemption Party is different from name of customer in invoice:
Authorisation letter duly signed by customer (No Redemption allowed by retailers or Samsung promoters on behalf of customers)

*Terms and Conditions: Promotion is only valid for customers who purchase selected Samsung products as specified herein during the Promotion Period, and is subject to stock availability. Promotion is not valid with other discounts or promotions. Check in-store for more details. Free gift(s) may only be redeemed by collection at Redemption Centre during Redemption Period, upon presentation of valid Redemption Documents. No extension of Redemption Period will be allowed. Gift(s) are while stocks last. Payment must be made in full or hire purchase approved before redemption is allowed. Samsung reserves the right to replace any gift with an item of a similar or other value. Gift(s) are not exchangeable for cash or kind. Samsung will not liable for any lost, damaged or stolen Redemption Form(s) and gift(s). Promotion is applicable to end-consumers only; not trade, corporate, or bulk purchase. Each customer can redeem gifts for a maximum of 3 product purchases. Samsung reserves the right to reject any Redemption Form that is not submitted with the Redemption Documents or in accordance with these terms. Products purchased under promotion are not eligible for exchange and/or refund, save in accordance with warranty terms. Samsung reserves the right to amend these terms and conditions without prior notice.

**Valid for purchase of selected Samsung TV and AV products (excluding HW-M360, HW-M450 and WAM1500) in a single receipt. Customers may receive up to a maximum of \$200 worth of Shopping Vouchers per receipt. Check with Samsung promoters for more details. Samsung reserves the right to amend these terms and conditions without prior notice.

*Optimal viewing experience by Fibre and LAN connection. Third party terms and conditions apply. Visit www.samsung.com/sg/weekendgoalspack/terms/ for more details. Information is accurate at time of print. Images are for illustration purposes only. Bluetooth is a registered trademark owned by Bluetooth SIG, Inc., and any use of such marks herein is under license. Dolby and Dolby Atmos are trademarks of Dolby Laboratories. All other company, product and service names, trademarks, registered trademarks and service marks are the property of their respective owners.

For more information, please visit www.samsung.com/sg

SAMSUNG

No.1
TV Brand in
Singapore

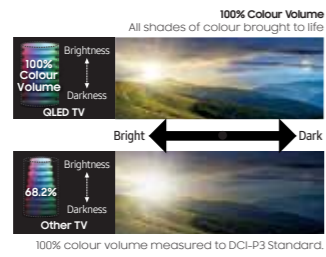
Based on independent third party data.

SPRING SALE



100% REAL COLOURS¹

World's First TV to be Certified 100% Colour Volume



1 MASTER REMOTE CONTROL³

Control all your devices with one remote control



1 INVISIBLE CONNECTION²

No messy cables with One Optical Cable



10 YEARS⁴ ASSURANCE

Burn-in free warranty

QLED TV Awards

 Best SMART TV Readers' Choice QLED Q9F	 Hardware Magazine Editor's Choice QLED TV	 Hardware Magazine Review 9/10 QLED TV	 Lian He Zao Bao Editor's Choice QLED TV	 STUFF Awarded 5 Stars QLED Q7F	 CES Innovation Award QLED TV Q8C	 CES Innovation Award QLED TV Q9F	 Pocket-lint Recommended QLED Q7F	 AV Forums Highly Recommended QLED TV Q8C	 Video Highlight Award QLED TV Q9F	 Video Reference (Picture Quality) QLED TV Q9F	 Video Innovation Award QLED TV Q9F
--	---	---	---	------------------------------------	--------------------------------------	--------------------------------------	--------------------------------------	--	---------------------------------------	---	--

Q9F FLAT



BUY 88", 65" FREE[^]

(B) + (C) + (G)

- Quantum Dot Display
- HDR2000[^]
- Smart TV with Web Browser
- HDMI (4) | USB (3)

Q8C CURVED



BUY 75" FREE[^]

(B) + (C) + (G)

BUY 65", 55" FREE[^]

(A) + (G)

- Quantum Dot Display
- HDR1500
- Smart TV with Web Browser
- HDMI (4) | USB (3)

Q7F FLAT



BUY 75" FREE[^]

(B) + (C) + (G)

BUY 65", 55" FREE[^]

(A) + (G)

- Quantum Dot Display
- HDR1500
- Smart TV with Web Browser
- HDMI (4) | USB (3)

QLED TV Accessories

Purchase any QLED TV and purchase accessories at a special price

<p>Studio Stand VG-STSM11B/XY Usual: \$999 Now: \$799</p>	<p>Gravity Stand VG-SGSM11B/XY Usual: \$1,199 Now: \$999</p>
---	--

Studio and Gravity Stands sold separately. Applicable for 55" and 65" QLED TVs only.

¹Applicable only for 65" Q9F. ²100% colour volume measured to DCI-P3 Standard. ³The 'Invisible Connection' refers to a single optical cable connected to the One Connect Box integrating external device cables, but it does not refer to the power cable of the TV nor cables connected to other devices such as sound bar. ⁴Warranty is limited to burn-in that occurs in conventional TV viewing conditions, and does not cover burn-in that occurs in QLED TVs that were used for business purposes. Only valid for QLED TVs.

WALL BRACKET

<p>No Gap Wall Mount</p>	<p>Conventional Wall Mount</p>
<p>No Gap Wall Mount (55", 65") WMN-M11EA/XS Usual: \$249 Now: \$149</p>	
<p>No Gap Wall Mount (75") WMN-M21EA/XS Usual: \$299 Now: \$199</p>	

No Gap Wall Mount sold separately and applicable to selected models. The gap may differ based on the installation and wall type.

BILLION COLOURS

64X more colour than conventional UHD TV



Premium UHD TV



Conventional UHD TV

4K HDR

See every single detail with HDR1000



Conventional UHD TV

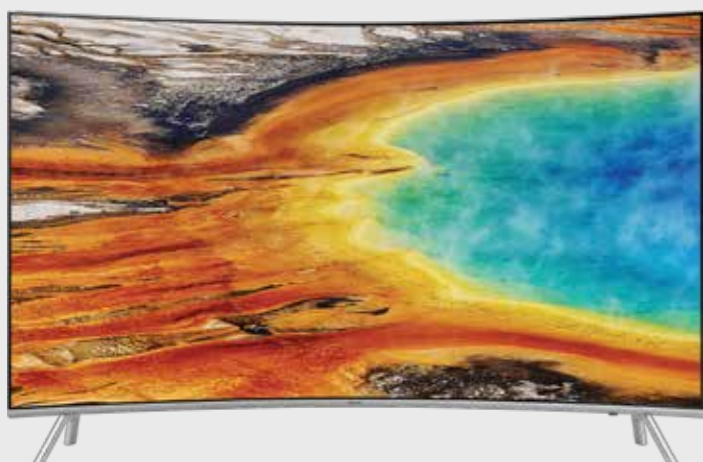
Premium UHD TV

HIGH MOTION RATE

Ideal for sports and action movies



MU8000 CURVED



BUY 55" FREE[^]

(B + G)

BUY 49" FREE[^]

(D + G)

- Dynamic Crystal Colour / Active Crystal Colour (49")
- One Remote Control³
- Smart TV with Web Browser
- HDMI (4) | USB (3)

MU7000 FLAT



BUY 82", 55" FREE[^]

(B + G)

BUY 75", 65" FREE[^]

(A + G)

- Dynamic Crystal Colour
- One Remote Control³
- Smart TV with Web Browser
- HDMI (4) | USB (3)

CERTIFIED TRUE 4K UHD

RGB for fuller colour reproduction



HDR PRO

Unleash hidden details with powerful contrast



HDR Pro

Conventional TV

SMART CONTROL

Seamlessly control your TV through Smart View



Smart View

Subject to device compatibility.

MU6500 CURVED



BUY 65" FREE[^]

(D + H)

MU6400 FLAT



BUY 55" FREE[^]

(D + H)

- Active Crystal Colour
- One Remote Control³
- Smart TV with Web Browser
- 360° Sleek Design
- HDMI (3) | USB (2)

- Active Crystal Colour
- One Remote Control³
- Smart TV with Web Browser
- 360° Sleek Design
- HDMI (3) | USB (2)

MU6300 CURVED



BUY 65" FREE[^]

(B + H)

BUY 55", 49" FREE[^]

(D + H)

- Purcolour
- One Remote Control³
- Smart TV with Web Browser
- HDMI (3) | USB (2)

MU6100 FLAT



BUY 75" FREE[^]

(A + H)

BUY 65" FREE[^]

(B + H)

BUY 55", 49" FREE[^]

(D + H)

BUY 43" FREE[^]

(F + H)

- Purcolour
- One Remote Control³
- Smart TV with Web Browser
- HDMI (3) | USB (2)



Art when it's off.
TV when it's on.



Artspace
SAATCHI ART
LUMAS™
MAGNUM PHOTOS
s[edition]

Becoming a collector of art has never been easier.

Step into the online Art Store and explore works from internationally recognised artists and world-class galleries in your home



BUY 65", 55"
FREE[^]
E + H

TV Features
• 4K UHD Resolution
• HDR
• Smart TV with Web Browser
• HDMI (4) | USB (3)

Art Mode Features
• Brightness Sensor⁵
• Motion Sensor⁶

⁵ Performance may vary depending on the ambient brightness level. ⁶ Motion sensor only operates in Art Mode. Actual results may differ depending on lighting conditions.

Gift with Purchases

A Samsung 49" FHD Smart TV 49J5200



Worth \$1,099

B Samsung 40" FHD Smart TV 40J5250



Worth \$849

C Samsung Ultra HD Blu-Ray Player UBD-M8500



Worth \$499

D Samsung 32" HD TV 32J4003



Worth \$429

E Samsung Customisable Frame



Available in Walnut, Beige Wood & White
Worth up to \$449

F Samsung Soundbar HW-M360



Worth \$299

G EXCLUSIVE TO SAMSUNG TV!

6 months
Weekend Goals Pack on
Singtel **CAST**

Watch up to 5 Premier League matches each match weekend.
Worth \$179.40*

H EXCLUSIVE TO SAMSUNG TV!

3 months
Weekend Goals Pack on
Singtel **CAST**

Watch up to 5 Premier League matches each match weekend.
Worth \$89.70*

Bundle Deal Purchase^{^^}

Purchase
Selected 55" & above
Samsung UHD TV



+

Selected
Samsung Soundbar /
Wireless Multiroom Audio
/ UBD Player



=

FREE[^]

\$100
SHOPPING VOUCHER

⁵ Performance may vary depending on the ambient brightness level. ⁶ Motion sensor only operates in Art Mode. Actual results may differ depending on lighting conditions.

TV / Soundbar Matching Guide

TV SIZE	RECOMMENDED SOUNDBARS
55" and above	HW-K950/XS (Dolby Atmos®)
	HW-K850/XS (Dolby Atmos®)
	HW-MS750/XS (Sound+)
	HW-MS6501/XS (Sound+) Curved TV Matching
49" and above	HW-MS650/XS (Sound+)
	HW-M550/XS (Soundbar)
	HW-4501/XS (Soundbar) Curved TV Matching
40" and above	HW-M450/XS (Soundbar)
	HW-M360/XS (Soundbar)

TV DIMENSIONS

Model	Size	With Stand		Without Stand	
		Dimension- width x height x depth	Weight	Dimension- width x height x depth	Weight
Q9	88	1979.0 x 1169.8 x 412.0 mm	74.5kg	1979.0 x 1131.3 x 30.4 mm	72.7 kg
Q9	65	1449.7 x 862.5 x 306.4 mm	30.0 kg	1449.7 x 829.3 x 24.9 mm	29.1 kg
Q8	75	1665.0 x 1049.2 x 433.1 mm	45.2 kg	1665.0 x 961.3 x 130.7 mm	40.0 kg
Q8	65	1441.9 x 918.5 x 375.1 mm	30.2 kg	1441.9 x 828.8 x 107.3 mm	26.5 kg
Q8	55	1225.3 x 790.2 x 300.8 mm	23.2 kg	1225.3 x 705.7 x 90.8 mm	20.0 kg
Q7	75	1671.2 x 1046.6 x 405.0 mm	42.9 kg	1671.2 x 957.9 x 53.2 mm	37.6 kg
Q7	65	1444.1 x 916.7 x 376.9 mm	28.2 kg	1444.1 x 826.4 x 45.0 mm	24.3 kg
Q7	55	1225.2 x 788.4 x 303.8 mm	21.2 kg	1225.2 x 703.6 x 44.9 mm	18.0 kg
LS003	65	1453.9 x 875.5 x 294 mm	26.2 kg	1453.9 x 830.9 x 42.5 mm	25.4 kg
LS003	55	1235.0 x 750.7 x 200.0 mm	19.1 kg	1235.0 x 707.8 x 42.5 mm	18.6 kg
MU8000	55	1224.8 x 783.6 x 247.9 mm	17.90 kg	1224.8 x 712.6 x 98.4 mm	17.5 kg
MU8000	49	1089.9 x 707.1 x 247.7 mm	15.4 kg	1089.9 x 636.3 x 89.5 mm	14.9 kg
MU7000	82	1830.1 x 1146.1 x 387.3 mm	44.90 kg	1830.1 x 1054.0 x 61.8 mm	43.9 kg
MU7000	75	1678.4 x 1059.4 x 354.2 mm	40.60 kg	1678.4 x 971.3 x 59.6 mm	37.2 kg
MU7000	65	1445.1 x 913.3 x 289.6 mm	24.1 kg	1445.1 x 834.3 x 54.7 mm	23.4 kg
MU7000	55	1226.1 x 782.7 x 246.1 mm	17.9 kg	1226.1 x 710.5 x 54.8 mm	17.4 kg
MU6500	65	1450.8 x 921.1 x 382.3 mm	26.90 kg	1450.8 x 839.9 x 114.9 mm	23.3 kg
MU6400	55	1235.2 x 783.9 x 334.3 mm	19 kg	1235.2 x 715.1 x 54.8 mm	16.9 kg
MU6300	65	1460.3 x 907.2 x 369.1 mm	28.3 kg	1460.3 x 845.8 x 131.1 mm	26.1 kg
MU6300	55	1241.7 x 779.3 x 310.5 mm	17.90 kg	1241.7 x 718.6 x 111.9 mm	16.7 kg
MU6300	49	1104.1 x 701.0 x 310.5 mm	13.50 kg	1104.1 x 639.9 x 119.1 mm	12.3 kg
MU6100	75	1688.9 x 1052.6 x 384.9 mm	38.8 kg	1688.9 x 971.2 x 66.0 mm	35.2 kg
MU6100	65	1463.5 x 907.6 x 369.4 mm	25.70 kg	1463.5 x 844.5 x 64.6 mm	23.5 kg
MU6100	55	1242.6 x 787.5 x 310.5 mm	16.50 kg	1242.6 x 718.4 x 63.2 mm	15.3 kg
MU6100	49	1107.9 x 707.4 x 310.5 mm	13.60 kg	1107.9 x 647.7 x 53.4 mm	12.3 kg

Start enjoying your brand new TV with Weekend Goals Pack on Singtel CAST App

Watch up to 5 Premier League matches each match weekend.



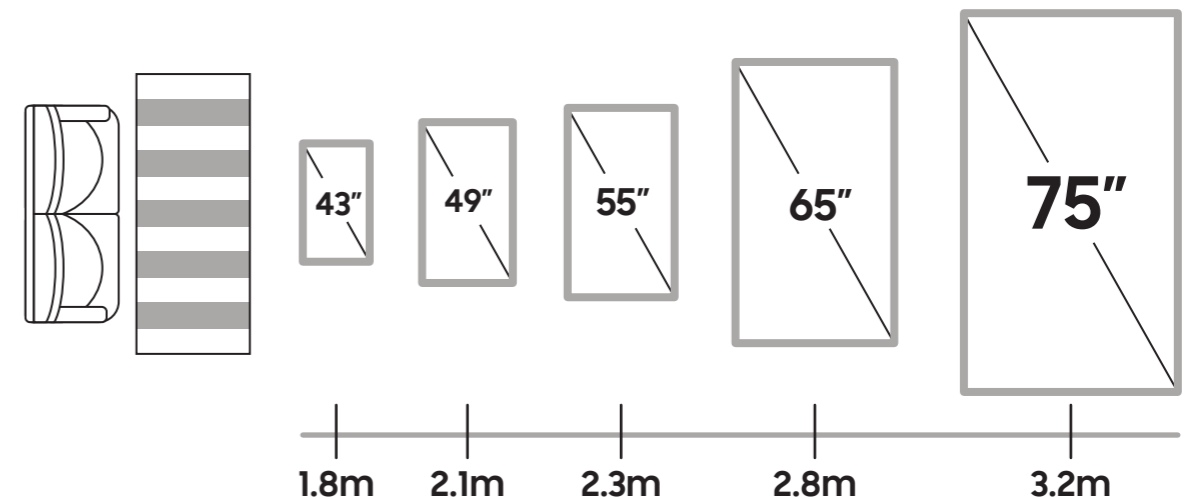
Channels available in the Weekend Goals Pack



Users do not have to be a Singtel subscriber to access Weekend Goals Pack. Singtel CAST App is available on Samsung Smart TVs

Recommended TV Viewing Distance

Be assured that you get to enjoy the best out of your TV experience with the optimal TV screen size and viewing distance.



The above recommendations are provided for general guidance and information purposes only.



#1 Global Soundbar Sales

Applied years (2015-2017) © 2018 Futuresource Consulting.

#1 Global 4K Ultra HD Blu-Ray Player Sales

Applied years (2015-2017) © 2017 Futuresource Consulting.

4K Ultra HD Blu-Ray Player

4K Ultra HD Blu-ray Player UBD-M8500



- Tizen OS Smart 4K Ultra
- Blu-ray Player
- True 4K Playback
- HDR Technology
- 64 Times More Colour Expressions⁷
- HD Audio

UBD-M9500

4K Ultra HD Blu-ray Player UBD-M9500



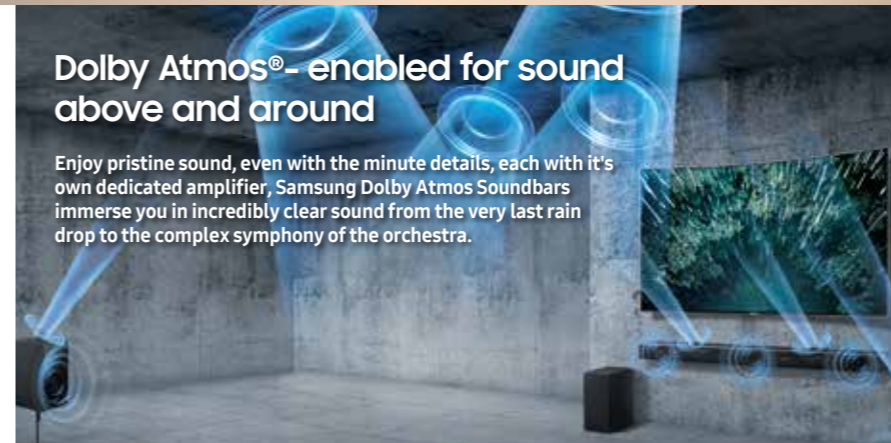
- Tizen OS Smart 4K Ultra
- Blu-ray Player
- True 4K Playback
- HDR Technology
- 64 Times More Colour Expressions⁷
- Wirelessly Stream Contents from
- Player to Mobile Device⁸
- 360° Content Playback
- Transform Old Audio Device into Bluetooth Speaker⁹
- HD Audio

⁷ Compared to a conventional Blu-ray Player
⁸ Supporting devices: Galaxy S8, Tab S3, Galaxy S7, Galaxy Note5, Galaxy S6 with Nougat OS
⁹ Supporting devices: Mobile device(s) with Bluetooth® function

Soundbar with Dolby Atmos®

Dolby Atmos® - enabled for sound above and around

Enjoy pristine sound, even with the minute details, each with its own dedicated amplifier, Samsung Dolby Atmos Soundbars immerse you in incredibly clear sound from the very last rain drop to the complex symphony of the orchestra.



BUY HW-K950 FREE[^] **\$200 SHOPPING VOUCHER**

- 5.1.4CH, 500W
- Powerful 8" Subwoofer Driver
- Crystal Clear Sound with 15 Built-in Speakers
- 11 Forward Firing Speakers
- 4 Up Firing Speakers (2 Front / 2 Rear)
- Multi Dimensional Cinematic Sound with Dolby ATMOS
- HD Audio
- Wide Sound Coverage
- 6 Sound Modes (DSP)
- 4K Pass Through

Soundbar with Dolby Atmos®



The Way Sound Should Sound

The all-in-one Samsung Sound+ system with integrated subwoofer offers distortion cancelling and multi-speaker control technology.

BUNDLE DEAL
 Special price[^] for purchases of Soundbar Sound+ with Samsung Wireless Subwoofer (SWA-W700)



- Wireless Subwoofer
- 0.1Ch, Powerful 10" Subwoofer Driver
- Deeper Sound (27Hz ~ 120Hz)
- Distortion Cancelling
- Wireless Connection to Soundbar



HW-MS750

- 5CH, Integrated Subwoofer
- 11 Built-in Speakers (2 Up Firing Speakers)
- 32-bit Sound Upscaling
- Distortion Cancelling
- Wide Sound Coverage
- Smart Sound Mode (DSP Optimization)
- 4K Pass Through



HW-MS650

- 3CH, Integrated Subwoofer
- 9 Built-in Speakers
- 32-bit Sound Upscaling
- Distortion Cancelling
- Wide Sound Coverage
- Smart Sound Mode (DSP Optimization)
- 4K Pass Through



HW-MS6501

- 3CH, Integrated Subwoofer
- 9 Built-in Speakers
- 32-bit Sound Upscaling
- Distortion Cancelling
- Wide Sound Coverage
- Smart Sound Mode (DSP Optimization)
- 4K Pass Through

Soundbar Sound+



Purchase any selected Samsung TV and Samsung soundbars at

Special Purchase With Purchase Prices[^].