

Samsung Kitchen Appliances 2019-2020



Samsung Kitchen Appliances 2019-2020



SAMSUNG

Brochure accurate at the time of printing.

DA-101889

SAMSUNG



Contents

Leading Innovation	4
Refrigeration	16
Key innovation	17
Features	18
Models	20
Oven	24
Key innovation	26
Features	28
Models	29
Compact Oven	34
Features	35
Models	36
Hobs	40
Key innovation	42
Features	43
Models	44
Hood	48
Features	49
Models	50
Dishwasher	52
Features	53
Models	54
Specifications	56
Installation Guide	74
Services	87

Leading Innovation

#1

Which?
2018
Large Home Appliance Brand

#6

Interbrand
2018
Best Global Brands

#2

REPUTATION INSTITUTE
2018
Most Reputable Companies in the U.S.

#5

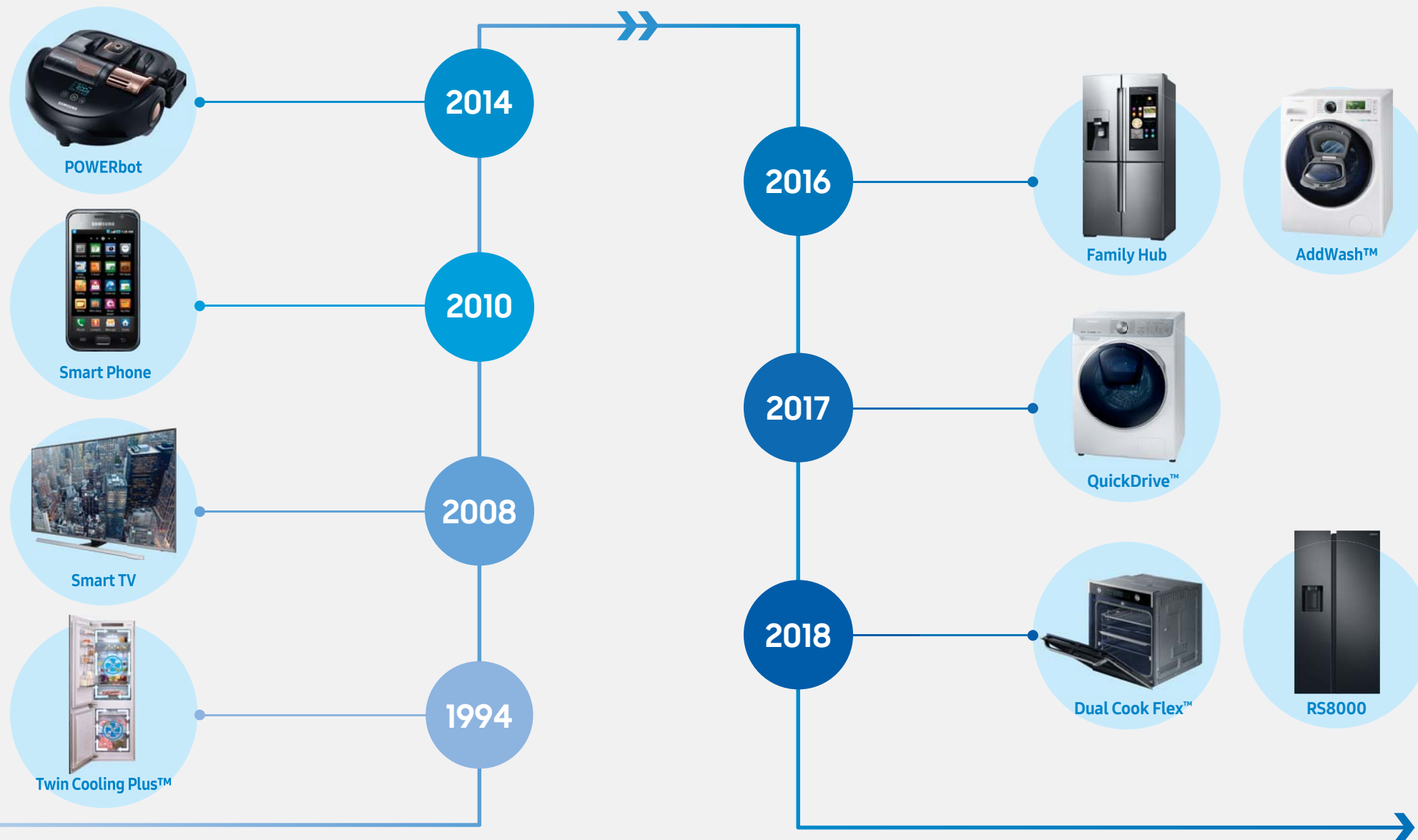
BCG
2019
Most Innovative Companies

#12

FORTUNE
2018
Global 500

#7

Forbes
2018
World's Most Valuable Brands



Samsung Electronics is a global leader in technology, opening new possibilities for people everywhere through relentless innovation and discovery.

We believe technology should enable progress for all. That's why we always look to create and deliver quality products that enhance convenience and foster smarter lifestyles for our customers around the world.



**What if the
best innovation
and design was
Built-In to your
kitchen?**



Introducing Samsung's Built-In & Integrated Kitchen Appliances



① A refrigerator that allows you to convert the freezer zone to a fridge & vice versa.

Need more room to hold cool beverages for a party? Convert the freezer zone to an extra fridge compartment and be chilled and ready to host at the weekend.

See page 15 for more information.



② An oven that lets you cook two totally different dishes at the same time.

Prepare two different dishes at different temperatures, with different settings, at the same time.

See page 25 for more information.



③ An induction cooktop that projects a virtual flame onto your cookware.

Enjoy the benefit of seeing a visible flame to better control the heat.

See page 44 for more information.



④ A dishwasher that uses sweeping walls of water to thoroughly wash your dishes.

Say goodbye to tough food residues and say hello to sparkling clean dishes from corner to corner.

See page 60 for more information.



The four core values of Samsung's Kitchen Appliances

The world is full of appliances with 'smart technologies'. But if those technologies don't help improve your day-to-day life, they are not that smart.

At Samsung, we don't just design our kitchen appliances around the latest technologies, we design them around you because we know that home is your making. And as we're all unique, we know that no two homes are the same.

Our products are designed with four core values in mind:

Innovation

Our products contain unique, new-to-the-world innovations to make your time in the kitchen that much more enjoyable. No matter what you choose to cook, clean or preserve, we make sure our appliances offer practical and efficient solutions.

Flexibility

Our products are designed to give you maximum flexibility to fit not only your kitchen's style but your own. All the versatility you need to give you full control over any meals you prepare, food you want to store and dishes that need washing.

Design

Our extensive range of Built-In products have all been thoughtfully designed to provide the perfect solution for you, no matter what type of kitchen you have. Our products are inspired by the designs of premium kitchens – sleek, minimalist and modern – while still being functional and easy-to-use.

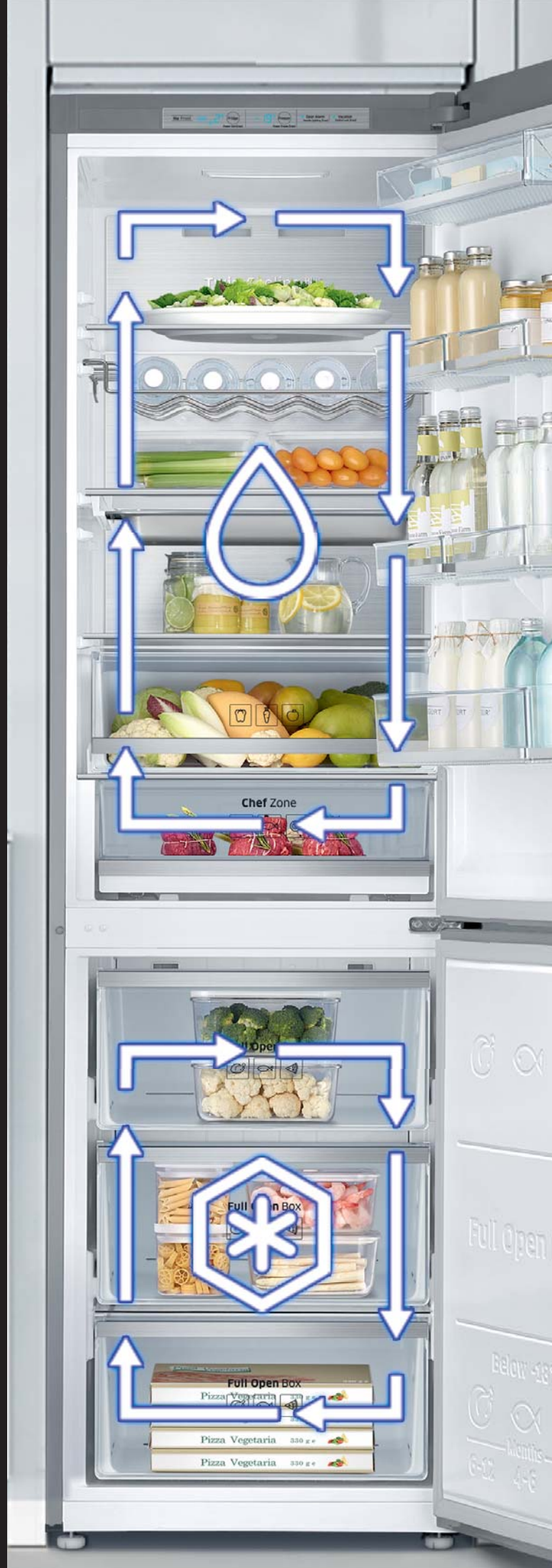
Reliability

Not only do we take pride in our design and innovations across all our products, but we are also committed to ensuring there are no compromises when it comes to the dependability and durability of our products. And to show how much trust we have in our products, we offer a 5 Year Warranty on the majority of our appliances.

*On selected products, available by redemption within 90 days of purchase, T&Cs apply.

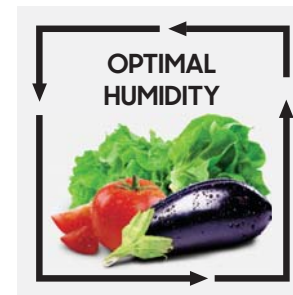
Refrigeration

Enjoy ultimate storage flexibility and superior cooling technology with Samsung's wide range of Fridge Freezers.



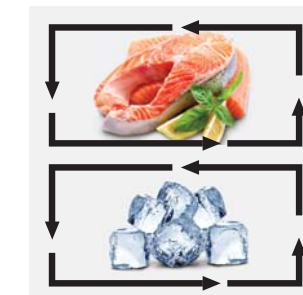
Twin Cooling Plus™

Twin Cooling Plus™ technology creates the optimal temperature and humidity in the fridge and freezer. This not only preserves food in the best condition, it also protects its natural flavour and aroma. It cools each compartment independently and prevents odours from mixing between them using their own dedicated evaporators and cooling systems. As a result, it retains more moisture and maintains a high humidity level all over the fridge. So, even the most perishable fruits and vegetables are kept fresher for longer, without them drying out or needing to be wrapped, which helps to reduce waste.



Optimal Humidity

Thanks to the Twin Cooling Plus™, the fridge compartment has its own dedicated supply of cold air, which maintains an optimal level of humidity.



No Odour Mixing

Twin Cooling Plus™ system cools the compartments separately to stop unpleasant odours spreading from fridge to freezer, so frozen food retains more natural flavour without being tainted by smells from the fridge.



Flexibility

The CoolSelect Plus zone provides the ultimate flexibility for different foods to be stored at the optimum temperature. That way, everything stays fresher and tastes great. With one touch, the bottom compartment can be easily converted from a freezer to fridge using the optimal pre-set temperatures of 2°C, -1°C, -5°C or -23°C to -15°C.

Other features



Total No Frost

Who has the time these days to defrost a fridge? Our Total No Frost feature maintains an even temperature, preventing ice build-up, saving you the hassle of defrosting and keeping your Fridge Freezer frost-free.



CoolSelect Plus Zone

Now you're in control of making sure your food is properly chilled. Two settings let you choose the perfect temperature for whatever you're storing – from cold meats, to keeping fruit and veg at their best.



Metal Cooling

The Metal Cooling Interior adds an extra touch of style to your fridge. With a beautiful reflective metal interior, the fridge looks as good on the inside as it does on the outside.



The Digital Inverter Compressor™

The Digital Inverter Compressor cleverly alters the fridge's power and running speed to how much cooling is needed. So the temperature is constantly perfect, making it more efficient, as well as less noisy and longer-lasting.



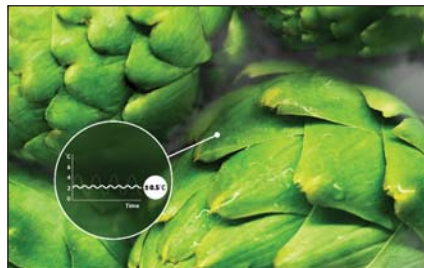
Take-Out Tray

Quickly see what's inside thanks to the transparent Take-Out Tray. Ideal to easily store and access all of your favourite or frequently used food items.



Easy-Slide Shelf

Reaching into your freezer often will no longer mean navigating an obstacle course of items. The Easy-Slide Shelf simply slides in and out so you can efficiently store, organise and access your frozen food to find and reach things at the back and in every corner, with no "dead space".



Precise Chef Cooling™

Chefs say that precise and stable temperature control is the key to keeping food at its freshest. Precise Chef Cooling™ minimises temperature fluctuation, so all of your ingredients retain their original textures and flavours.



Fresh Zone

Fresh Zone is a smartly designed drawer that provides the ideal environment for preserving meat and fish, keeping them at the optimum temperature so they stay fresh and have the best possible flavour.



SpaceMax Technology™

When you're short on space, but still need big on space, there's SpaceMax Technology™. It works by making the walls slimmer so the same size fridge on the outside has larger capacity inside. All without compromising on performance. You really can get the best of both worlds.



Adjustable Door Compartments

No more items precariously wobbling in the door. Alter the position of the Adjustable Door Bins to fit whatever you need – from small juices to family-sized milk. It's a great way to make the best use of your space.



Smart Dongle

Simply plug in the Smart Dongle* to control your Fridge Freezer settings with Power Freeze and Power Cool. And if that's not clever enough, you can also monitor your energy use and the Door Alarm right from your smartphone

* Requires Smart Home App available on Android and iOS.

Integrated Fridge Freezers models

The Samsung BRB6000 range of Integrated Fridge Freezers preserve the original freshness, flavour and texture of food for longer with advanced cooling systems that optimise the temperature and humidity, retain the cold and prevent ice build up. And you can remotely monitor and control it from anywhere at any time with Smart Dongle and App*.

BRB260087WW	BRB260130WW	BRB260000WW
<p>Key features</p> <ul style="list-style-type: none"> - Twin Cooling Plus™ - CoolSelect Plus - Metal Cooling - 263L Capacity - SpaceMax Technology™ - Precise Chef Cooling - Adjustable Door Pocket - Fresh Zone - Premium Finishing - No Frost - Energy Class A++ - Digital Inverter Technology™ - Slide Door - Power Cool & Freeze <p>Included accessories</p> <ul style="list-style-type: none"> - Egg Container - Ice Maker (Tray) - Wine Rack - Take Out Tray 	<p>Key features</p> <ul style="list-style-type: none"> - All Around Cooling - 267L Capacity - SpaceMax Technology™ - Adjustable Door Pocket - Premium Finishing - No Frost - Energy Class A+ - Digital Inverter Technology™ - Fixed Door - Power Freeze <p>Included accessories</p> <ul style="list-style-type: none"> - Egg Container - Ice Maker (Tray) - Wine Rack 	<p>Key features</p> <ul style="list-style-type: none"> - All Around Cooling - 268L Capacity - SpaceMax Technology™ - Adjustable Door Pocket - No Frost - Energy Class A+ - Digital Inverter Technology™ - Slide Door - Power Freeze <p>Included accessories</p> <ul style="list-style-type: none"> - Egg Container - Ice Maker (Tray)

*10 year warranty is limited to the compressor only.

*Available on selected models only. Requires SmartThings App, available on Android and iOS. 5 year warranty on selected products, available by redemption within 90 days of purchase, T&Cs apply.

Freestanding Fridge Freezers models

Size. Capacity. Efficiency. All Fridges are the same, right? Wrong. Samsung fridges are different. Our refrigerators are not only beautifully designed to be spacious and versatile, but also enhances the look of your kitchen. They also include unique touches – clever features that help you in the life you lead. It's time to take a fresh look at your next fridge and open the door to one designed for the way you want to live. Open the door to fresh thinking.

RS68N8941SL



Key features

- Family Hub™ Display
- Twin Cooling Plus™
- 593L Capacity
- 383L Fridge
- 210L Freezer
- Plumbed Water & Ice
- No Frost
- Energy Class A++

Included accessories

- Egg Container
- Wine Rack



RF56M9540SR



Key features

- Family Hub™ Display
- CoolSelect Plus Zone
- Triple Cooling
- 635L Capacity
- 380L Fridge
- 255L Freezer
- Plumbed Ice & Water
- No Frost
- Energy Class A+

Included accessories

- Egg Container



RF23M8080SR



Key features

- Twin Cooling™
- FlexZone Drawer
- 636L Capacity
- 449L Fridge
- 187L Freezer
- Metal Cooling Door
- Plumbed Water & Ice
- Auto Fill Water Pitcher
- No Frost
- Energy Class A+

Included accessories

- Egg Container



RF22R7351SR



Key features

- Flexzone
- Twin Cooling Plus™
- Sleek & Seamless Design
- Fingerprint resistant
- Auto Fill Water Pitcher
- Food Showcase and Metal Cooling Door
- Plumbed Water & Ice
- Smart Divider

Included accessories

- Egg Container



RS50N3513SL



Key features

- All-Around Cooling
- 501L Capacity
- 357L Capacity
- 144L Capacity
- Plumbed Water & Ice
- No Frost
- Energy Class A+


Included accessories

- Egg Container
- Wine Rack



RS67N8210S9	RB36R883PSR	RZ32M7120B1 /RR39M7340B1
		
<p>Key features</p> <ul style="list-style-type: none"> - Twin Cooling Plus™ - 609L Capacity - 407L Fridge - 202L Freezer - Ice Maker (Integrated) - No Frost - Energy Class A+ <p>Included accessories</p> <ul style="list-style-type: none"> - Egg Container 	<p>Key features</p> <ul style="list-style-type: none"> - Paired or Individual - Pairing kit included - 710L Combined Capacity - 355L Individual Capacity - Twin & Metal Cooling - Cool Select Plus Zone - No Frost - Energy Class A++ <p>Included accessories</p> <ul style="list-style-type: none"> - Egg Container - Chef Pan 	<p>Key features</p> <ul style="list-style-type: none"> - Paired or individual - Pairing kit included - 690L Combined Capacity - 375L Fridge Capacity - 315L Freezer Capacity - Water Dispenser non-plumbed (Fridge only) - Slim Ice Maker (Freezer only) - No Frost - Energy Class A+ <p>Included accessories</p> <ul style="list-style-type: none"> - Egg Tray - Wine Rack

5 year warranty on selected products, available by redemption within 90 days of purchase, T&Cs apply.

RZ32M71207F /RR39M73407F

<p>Key features</p> <ul style="list-style-type: none"> - Paired or individual - Pairing kit included - 745L Combined Capacity - 390L Fridge - 355L Freezer - Water Dispenser non-plumbed (Fridge only) - Slim Ice Maker (Freezer only) - No Frost - Energy Class A+ <p>Included accessories</p> <ul style="list-style-type: none"> - Egg Tray - Wine Rack

5 year warranty on selected products, available by redemption within 90 days of purchase, T&Cs apply.



Oven

Samsung Built-In Ovens are designed for people who want eye-catching style and great results, with the minimum amount of effort. With Dual Cook technology, you can cook multiple dishes at once and all with the precision needed for professional-quality food.





Dual Cook Flex™

**One Flexible Door. Two temperatures.
Endless cooking combinations.**

Samsung Dual Cook Flex™ doesn't just cook at two temperatures when needed. It now has a hinged, Flexible Door giving you the choice to access the full oven or just the top half, without interrupting what's cooking below. It's our most flexible oven yet. So say goodbye to mealtime dramas.

Conquer every feast

Not only does cooking at two temperatures and settings end unwanted cooking dramas; the new Flexible Door means you can access the full oven or just the top half, without interrupting what's cooking below.



Cook flexibly

Say goodbye to mealtime dramas. Now with a Flexible Door, it's easier than ever to divide the oven and cook endless combinations of dishes – and keep everyone happy at the same time.



Save your energy

Why waste energy heating the full oven, if you're only cooking something light in the top half? Dual Cook Flex™ is a more energy efficient way of cooking, saving you 20% on energy* when only using the top half.

*Upper vs. whole compartment on small cake setting at convection 155°C (IEC-60350)

Features



Gourmet Vapour Technology™

Gourmet Vapour Technology™ optimises the taste and texture of your food, especially during baking or roasting. The technology creates a super-heated vapour that quickly spreads from corner to corner to ensure even cooking, even across multiple levels. So food is deliciously crispy and brown outside.



Meat Probe

A Meat Probe allows you to monitor the internal food temperature without any guesswork by clearly indicating when meat is thoroughly cooked, all without opening the oven door and releasing heat.



Soft Closing Door

The Soft Closing Door smoothly and gently opens and closes with minimal noise. The door's hinge helps it to slowly come to a stop safely, giving you complete peace of mind.



Guide Lighting Control

You can control cooking temperatures and times, select functions and set cleaning options easily with an intuitive step-by-step display. By following the lights it clearly shows you what to do next, based on the last option you chose, so you can prepare delicious meals without reaching for the instruction manual.



Full Touch Colour LCD Control

A 4.6" full-touch LCD display offers a much simpler and easier way to cook – exactly how you want to. You can select and control a range of functions and settings, such as cooking mode, temperature and time, with the simple touch of your finger.



Telescopic Rail

A Telescopic Rail slides in and out smoothly with hardly any effort, even if you're using large pans or heavy dishes. So you can keep on basting, turning and seasoning your food – without any mess or spills.



Self Cleaning (Pyrolytic)

A Pyrolytic system keeps your oven neat and clean without any time-consuming scrubbing. It heats the oven cavity to burn off any grease and residue left from cooking, leaving only a few ashes to wipe away.



Cleaning (Catalytic)

Imagine an oven that cleans itself while it's working. With Catalytic cleaning, the food remnant tray collects grease and residue and chemically dissolves them, so your oven is always clean.





Cleaning (Steam)

Steam Clean helps remove even the most stubborn grime. It uses just a small amount of water inside the oven to create hot steam that loosens grease and food residue, and with Ceramic Enamel lining it's so much easier to wipe off.



Dual Cook Flex™ models

Cook efficiently with less effort and more taste! A hinged flexible door and Dual Cook system give you the flexibility to cook various types of dishes at the same time, saving time and energy and optimising results. WiFi Connectivity also lets you monitor and control it anytime, anywhere with an App*.

NV75N7677RS	NV75N7647RS	NV75R7676RS
		
<p>Key features</p> <ul style="list-style-type: none"> - Dual Cook - Flexible Door - WiFi Connection - Intuitive & Easy LED Display - Guide Lighting Control - 75L Large & Useful Capacity - Energy Class Whole A+ - Upper / Lower A - Auto Cook 50 Recipes - Pyrolytic Clean - Steam Clean - Child Safety Lock <p>Included accessories</p> <ul style="list-style-type: none"> - Telescopic (1 Level) - Rotisserie Spit (1 EA) - Baking Tray (2 EA) - Wire Rack (1 EA) - Cookbook (CD) <p>Matching Compact Ovens NQ50J9530BS</p> <p>Matching Warming Drawer NL20J7100WB</p>	<p>Key features</p> <ul style="list-style-type: none"> - Dual Cook - Flexible Door - WiFi Connection - Intuitive & Easy LED Display - Guide Lighting Control - 75L Large & Useful Capacity - Energy Class Whole A+ - Upper / Lower A - Auto Cook 50 Recipes - Catalytic Clean - Steam Clean - Child Safety Lock <p>Included accessories</p> <ul style="list-style-type: none"> - Telescopic (1 Level) - Baking Tray (2 EA) - Wire Rack (1 EA) - Cookbook (CD) <p>Matching Compact Ovens NQ50J5530BS</p> <p>Matching Warming Drawer NL20J7100WB</p>	<p>Key features</p> <ul style="list-style-type: none"> - Dual Cook - Flexible Door - Intuitive & Easy LED Display - Guide Lighting Control - 75L Large & Useful Capacity - Energy Class Whole A+ - Upper / Lower A - Auto Cook 50 Recipes - Catalytic Clean - Steam Clean - Child Safety Lock <p>Included accessories</p> <ul style="list-style-type: none"> - Telescopic (1 Level) - Baking Tray (2 EA) - Wire Rack (1 EA) - Cookbook (CD) <p>Matching Compact Ovens NQ50J9530BS</p> <p>Matching Warming Drawer NL20J7100WB</p>

*10 year warranty is limited to the compressor only.

*Available on Android and iOS devices. A WiFi connection is required.

NV75R7676RB	NV75R7646RB
	
<p>Key features</p> <ul style="list-style-type: none"> - Dual Cook - Flexible Door - Intuitive & Easy LED Display Guide Lighting Control - 75L Large & Useful Capacity - Energy Class Whole A+ Upper / Lower A - Auto Cook 50 Recipes - Catalytic Clean - Steam Clean - Child Safety Lock <p>Included accessories</p> <ul style="list-style-type: none"> - Telescopic (1 Level) - Baking Tray (2 EA) - Wire Rack (1 EA) - Cookbook (CD) <p>Matching Compact Oven NQ50R7530BK (Coming January 2020)</p> <p>Matching Warming Drawer Model code unknown (Coming January 2020)</p>	<p>Key features</p> <ul style="list-style-type: none"> - Dual Cook - Flexible Door - Intuitive & Easy LED Display Guide Lighting Control - 75L Large & Useful Capacity - Energy Class Whole A+ Upper / Lower A - Auto Cook 50 Recipes - Catalytic Clean - Steam Clean - Child Safety Lock <p>Included accessories</p> <ul style="list-style-type: none"> - Telescopic (1 Level) - Baking Tray (2 EA) - Wire Rack (1 EA) - Cookbook (CD) <p>Matching Compact Oven NQ50R7530BK (Coming January 2020)</p> <p>Matching Warming Drawer Model code unknown (Coming January 2020)</p>

Gourmet Vapour Technology™ Models

Gourmet Vapour Technology™ optimises the taste and texture of your food by surrounding it with vapour that quickly and evenly transfers heat and moisture, resulting in food that's deliciously crispy outside, but soft and juicy inside.

NV73N9770RM	NV73J9770RS	NV73J7740RS
		
<p>Key features</p> <ul style="list-style-type: none"> - Gourmet Vapour Technology™ - Intuitive Touch TFT LCD - WiFi Connection - Energy Class A+ - Auto Cook 80 Recipes - Soft Closing Door - 73L Capacity - Pyrolytic Clean - Steam Clean - Child Safety Lock <p>Included accessories</p> <ul style="list-style-type: none"> - Meat Probe - Telescopic (1 Level) - Baking Tray (2 EA) - Wire Rack (1 EA) - Wire Inlay (1 EA) - Cookbook (CD) <p>Matching Compact Ovens NQ50N9530BM</p>	<p>Key features</p> <ul style="list-style-type: none"> - Gourmet Vapour Technology™ - Intuitive Touch TFT LCD - WiFi Connection - Energy Class A+ - Auto Cook 80 Recipes - Soft Closing Door - 73L Capacity - Pyrolytic Clean - Steam Clean - Child Safety Lock <p>Included accessories</p> <ul style="list-style-type: none"> - Meat Probe - Telescopic (1 Level) - Baking Tray (2 EA) - Wire Rack (1 EA) - Wire Inlay (1 EA) - Cookbook (CD) <p>Matching Compact Ovens NQ50J9530BS</p>	<p>Key features</p> <ul style="list-style-type: none"> - Gourmet Vapour Technology™ - Intuitive Touch LED - Energy Class A+ - Auto Cook 40 Recipes - Soft Closing Door - 73L Capacity - Catalytic Clean - Steam Clean - Child Safety Lock <p>Included accessories</p> <ul style="list-style-type: none"> - Meat Probe - Telescopic (1 Level) - Baking Tray (2 EA) - Wire Rack (1 EA) - Wire Inlay (1 EA) - Cookbook (CD) <p>Matching Compact Ovens NQ50J9530BS</p>

Dual Cook Models

Ever wished you had more hours in the day? Or an extra pair of hands? With Dual Cook, you can divide and conquer the kitchen.

Divide and conquer

Master two dishes at once with the innovative divider shelf. It separates your oven into two halves that you can control independently. Set them to different temperatures and settings, and you can cook a perfect main and bake a perfect dessert at the same time.



Divide the temperature

Up your game in the kitchen. Cook two dishes at the same time with different temperatures and settings.



Save your energy

Using half the oven? Heat half the oven and lower your energy use.



Separate the aromas

You can start warming the pudding while your garlicky main is still cooking.



Conquer any occasion

Cooking up a feast? Take out the divider shelf and you're ready to go big.

NV75J7570RS



Key features

- Dual Cook
- Intuitive & Easy LED Display Guide Lighting Control
- 75L Large & Useful Capacity
- Energy Class A
- Auto Cook 50 Recipes
- Soft Closing Door
- Child Safety Lock
- Pyrolytic Clean
- Steam Clean

Included accessories

- Telescopic (1 Level)
- Rotisserie Spit (1 EA)
- Baking Tray (2 EA)
- Wire Rack (1 EA)
- Cookbook (CD)

Matching Compact Ovens

NQ50J5530BS

Matching Warming Drawer

NL20J7100WB



NV75K557IRM



Key features

- Dual Cook
- 75L Large & Useful Capacity
- Energy Class A
- Auto Cook 50 Recipes
- Child Safety Lock
- Pyrolytic Clean
- Steam Clean

Included accessories

- Telescopic (1 Level)
- Baking Tray (1 EA)
- Wire Rack (2 EA)
- Cookbook (CD)

Matching Compact Ovens

NQ50K3130BM



NV75R7576RB



Key features

- Dual Cook
- Intuitive Full Touch LED Display
- Guide Lighting Control
- 75 Large & Useful Capacity
- Energy Class A
- Auto Cook 50 Recipes
- Child Safety Lock
- Pyrolytic Clean
- Steam Clean

Included accessories

- Telescopic Rails (1 level)
- Baking Tray (2 EA)
- Wire Rack (1 EA)
- Cookbook (CD)

Matching Compact Oven

NQ50R7530BK (Coming January 2020)

Matching Warming Drawer

Model code unknown (Coming January 2020)



Dual Fan models

Dual Fans spin in opposite directions to spread heat evenly throughout the oven, so all of your dishes are cooked at the same temperature and speed.

NV70K1340BS



Key features

- Even Cook by Twin Fans Airvection
- 70L Large & Useful Capacity
- Energy Class A
- Child Safety Lock
- Catalytic Clean

Included accessories

- Baking Tray (1 EA)
- Wire Rack (1 EA)



NV70K1340BB



Key features

- Even Cook by Twin Fans Airvection
- 70L Large & Useful Capacity
- Energy Class A
- Child Safety Lock
- Catalytic Clean

Included accessories

- Baking Tray (1 EA)
- Wire Rack (1 EA)



Compact Oven

Samsung Compact Ovens are small in size, but big on results. Despite their compact design they boast a 50L capacity, which is more than capable of handling multiple dishes - and even the Christmas turkey! Add in their speed and abilities and they really are a great choice for a busy home.



Features



Speed Cooking

Speed Cooking cooks food quickly and evenly. It also features multiple heating systems, including microwaves and a fan-assisted convection that circulates heat evenly.



Guide Lighting Control

You can control cooking temperatures and times with an intuitive step-by-step display. By following the lights it clearly shows you what to do next, based on the last option you chose, so you can prepare delicious meals without reaching for the instruction manual.



Soft Closing Door

The Soft Closing Door smoothly and gently opens and closes with minimal noise. The door's hinge helps it to slowly come to a stop safely, giving you complete peace of mind.



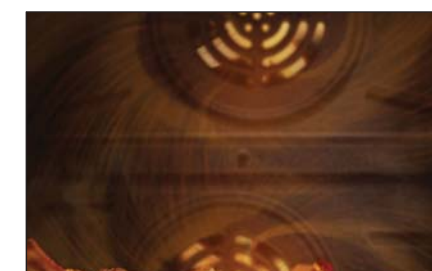
Steam Cleaning

Steam Clean helps remove even the most stubborn grime. It uses just a small amount of water inside the oven to create hot steam that loosens grease and food residue, and with Ceramic Enamel lining it's so much easier to wipe off.



Massive 50 Litre Capacity

Massive 50 litre capacity enables you to cook much more or much larger food. You can prepare multiple dishes at once, like trays of cookies, or easily accommodate large items, like a big roast or Christmas turkey.








Dual Fans

Dual Fans spin in opposite directions to spread heat evenly throughout the oven, so all of your dishes are cooked at the same temperature and speed.

Compact Ovens Models

A Samsung Compact Oven is the perfect choice when space is limited but you like to spend time cooking! With a huge 50 litre capacity and speed cooking option you simply don't need anything more.

NQ50N9530BM	NQ50J9530BS	NQ50J5530BS	NQ50K5130BS	NQ50K3130BM
 <p>Key features</p> <ul style="list-style-type: none"> - MWO Combination Cooking - Intuitive Touch LCD - 50L Large Capacity - Pro-Roasting - Auto Cook 40 Recipes - Auto Defrost 5 Programmes - Steam Clean - Pre-stop Hinge <p>Included accessories</p> <ul style="list-style-type: none"> - Ceramic Tray (1 EA) - Baking Tray (2 EA) - Wire Rack (1 EA) - Wire Tray Insert (1 EA) <p>Matching Ovens NV73N9770RM</p>	 <p>Key features</p> <ul style="list-style-type: none"> - MWO Combination Cooking - Intuitive Touch TFT LCD - 50L Large Capacity - Pro-Roasting - Auto Cook 35 Recipes - Auto Defrost 5 Programmes - Steam Clean - Pre-stop Hinge <p>Included accessories</p> <ul style="list-style-type: none"> - Ceramic Tray (1 EA) - Baking Tray (2 EA) - Wire Rack (1 EA) - Wire Tray Insert (1 EA) <p>Matching Ovens NV73N9770RS NV73J7740RS</p>	 <p>Key features</p> <ul style="list-style-type: none"> - MWO Combination Cooking - Intuitive & Easy LED Display Guide Lighting Control - 50L Large Capacity - Pro-Roasting - Auto Cook 20 Recipes - Auto Defrost 5 Programmes - Steam Clean - Pre-stop Hinge <p>Included accessories</p> <ul style="list-style-type: none"> - Ceramic Tray (1 EA) - Baking Tray (2 EA) - Pure Steam Bowl <p>Matching Ovens NV75N7677RS NV75N7647RS NV75J7570RS NV75J5540RS</p> <p>Matching Warming Drawer NL20J7100WB</p>	 <p>Key features</p> <ul style="list-style-type: none"> - MWO Solo - Pop-up Dial with Touch Buttons - 50L Large Capacity - Steam Clean - Auto Cook 15 Recipes - Auto Defrost 5 Programmes - Child Safety Lock <p>Included accessories</p> <ul style="list-style-type: none"> - Ceramic Tray (1 EA) <p>Matching Ovens NV75N7677RS NV75N7647RS NV75J7570RS NV75J5540RS</p> <p>Matching Warming Drawer NL20J7100WB</p>	 <p>Key features</p> <ul style="list-style-type: none"> - MWO Solo - Pop-up Dial with Touch Buttons - 50L Large Capacity - Steam Clean - Auto Cook 15 Recipes - Auto Defrost 5 Programmes - Child Safety Lock <p>Included accessories</p> <ul style="list-style-type: none"> - Ceramic Tray (1 EA) <p>Matching Ovens NV75K5571RM</p>

Microwave Oven models

Provides a seamless look that is perfectly harmonised with modern Built-In kitchens.



Smart Moisture Sensor

With the push of a button the Smart Moisture Sensor determines the interior air humidity, so the cooking mode and time can be automatically adjusted to ensure meals are always cooked perfectly.



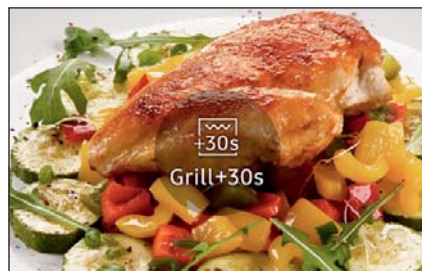
Ceramic Enamel

The durable Ceramic Enamel is easy to keep clean and scratch-free. Its smooth surface can be cleaned without scrubbing and won't discolour over time. It's also highly rust and scratch-resistant, so it lasts longer.



Keep Warm

With one touch, the Samsung microwave oven's Keep Warm function keeps food at the proper temperature without overcooking. So it stays deliciously warm and tasty, just like freshly cooked food – no matter when you serve it.



Grill +30secs

The Grill +30sec function achieves the ideal texture and colour for your food, so it looks and tastes delicious. It increases the cooking time by 30 seconds to brown and crisp food exquisitely with the grill heater.

MG22M8074AT



Key features

- Grill Microwave
- Smart Moisture Sensor
- Keep Warm
- Deodorisation
- Ceramic Enamel
- 1100W Grill
- Touch Control
- Side Opening Door
- Ice Blue LED Display

MS22M8074AT



Key features

- Smart Moisture Sensor
- Keep Warm
- Deodorisation
- Ceramic Enamel
- Solo Microwave
- 22L Capacity
- Touch (Control Type)
- Side Opening Door
- Ice Blue LED (Display)

MS22M8054AK



Key features

- Solo Microwave
- Keep Warm
- Deodorisation
- Ceramic Enamel
- Touch Control
- Side Opening Door
- Ice Blue LED Display

Warming Drawer models

Match the Warming Drawer with selected Compact Ovens to keep food at the perfect temperature until dinner is ready.

NL20J7100WB



Key features

- Complementary design to compact oven
- Defrosting (Temp. Ranges 30°C~80°C)
- Plate Warming
- Food Kept Warm
- Loading Weight : 20kg
- Fits a 60cm niche
- Stores accessories when not in use

Matching Ovens

NV75N7677RS
NV75N7647RS
NV75R7676RS
NV75J7570RS
NV75J5540RS

Matching Compact Ovens

NQ50J9530BS
NQ50J5530BS
NQ50K5130BS

Hobs

The modern design of Samsung induction hobs are complimented by a brilliant Ice blue LED display. The functions are easy to select to make how you cook easier to control,



Virtual Flame Technology™

Our innovative Virtual Flame Technology™ visually tells you how hot each ring is thanks to LED lighting that glows in accordance with the temperature of each cooking zone. So, just like a Gas Range, you can enjoy a more intuitive way to cook with the added peace of mind of instantly knowing if burners are turned up too much or have been accidentally left on.



Intuitive Interface

Virtual Flame Technology™ provides natural and intuitive visual control of the cooktop as LED lighting located in front of the burner glows like a real gas flame.



Interactive Cooking

Unlike conventional induction cooktops, you can quickly react to the power level with Virtual Flame Technology™, allowing you to enjoy a more interactive cooking experience.



Safety Measures

LED lighting that glows in accordance to the power level not only prevents accidental burns, but also allows you to instantly check if the burners have been left on.



Features Induction Cooktop



Magnetic Knob

A movable Magnetic Knob lets you control the power of each ring more simply and precisely. It can be completely detached, so the entire surface can be cleaned more easily.



Flex Zone Plus

Flex Zone Plus is a large, open space on the cooktop that is specially designed for cooking multiple dishes. It is divided into 4 zones for greater flexibility and is wide and spacious enough to accommodate different sizes and shapes of cookware at once.



Auto Connectivity

Auto Connectivity wirelessly connects the cooktop and hood together for combined control, so you instantly turn them on and off together for greater peace of mind.



Ice-blue Display

The modern and brilliant Ice-blue LED Display provides extremely clear information about the selected functions, so it's easier to control how you cook. It also adds an extra touch of style.



WiFi Control

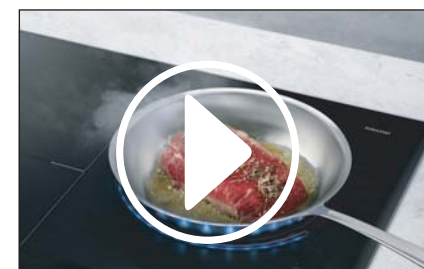
You can remotely monitor the cooktop anytime, anywhere*. Check the burners aren't on when you're not at home and receive real time alerts when you are leaving the casserole to simmer.

*Requires SmartThings App available on Android & iOS.



Keep Warm

The Keep Warm button is handy for when you're preparing several dishes, as it lets you keep your food at the perfect temperature without overcooking. Your food will taste freshly prepared.



Quick Start

The Quick Start button reduces the number of steps and time it takes to start cooking by providing high heat instantly with simply one touch. The heat can be gradually reduced, if desired.



Pause

The Pause button provides greater convenience by allowing you to switch all cooking zones to a low power setting with just one touch. Simply touch it again to instantly return the heat to original power levels.





Sliding Control




The extra wide and intuitive Sliding Control LED display panel enables fast and precise control of your cooking temperatures. Simply touch and glide your finger across it to instantly set or adjust the heat levels.

Induction Cooktop Models

For a simple, clean and efficient way to get things done fast, look no further than a Samsung Induction Cooktop. It heats food extremely quickly and provides effortless fingertip control.

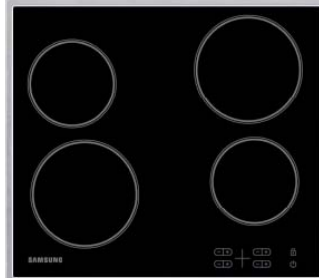
NZ84J9770EK	NZ84F7NC6AB	NZ64N9777GK
 <p>Key features</p> <ul style="list-style-type: none"> - Virtual Flame Technology™ - Precise Control with Magnetic Knob - 1~15 Power Level with Booster - Wide Flex Zone - Keep Warm - Quick Start / Quick Stop / Pause - 2 Stage Residual Heat Indicator - Display Colour: Ice Blue - 3-side Bevelled Frame - Left 38 x 20cm 3.3 (3.6kW) - Centre Rear 21cm 2.2 (3.2kW) - Right Front 14.5cm 1.2 (2.0kW) - Total Max. Power 7.0kW 	 <p>Key features</p> <ul style="list-style-type: none"> - Sliding Control - 1~15 Power Level with Booster - Flex Zone - Keep Warm - Quick Stop / Pause - 2 Stage Residual Heat Indicator - Display Colour : New Amber - 3-side Bevelled Frame - Left 38 x 20cm 3.3 (3.6kW) - Centre 28cm 2.4 (3.6kW) - Right Rear 14.5cm 1.2 (2.0kW) - Total Max. Power 7.2kW 	 <p>Key features</p> <ul style="list-style-type: none"> - Virtual Flame Technology™ - Flex Zone Plus - Auto Connectivity (with Hood) & WiFi - Sliding & DirectAccess Control - 1~15 Power Level with Booster - Keep Warm - Quick Start / Quick Stop / Pause - 2 Stage Residual Heat Indicator - Display Colour: Ice Blue - Front Bevelled Frame - Flex Zone 38 x 24cm 3.3 (3.6kW) - Right Front 21cm 2.2 (3.2kW) - Right Rear 14.5cm 1.2 (2.0kW) - Total Max. Power 7.2kW

NZ64N9777BK	NZ64N7777GK
 <p>Key features</p> <ul style="list-style-type: none"> - Virtual Flame Technology™ - Flex Zone Plus - Sliding & DirectAccess Control - 1~15 Power Level with Booster - Keep Warm - Quick Start / Quick Stop / Pause - 2 Stage Residual Heat Indicator - Display Colour: Ice Blue - Front Bevelled Frame - Flex Zone 38 x 24cm 3.3 (3.6kW) - Right Front 21cm 2.2 (3.2kW) - Right Rear 14.5cm 1.2 (2.0kW) - Total Max. Power 7.2kW 	 <p>Key features</p> <ul style="list-style-type: none"> - Virtual Flame Technology™ - Flex Zone Plus - Auto Connectivity (with Hood) & WiFi - Sliding & DirectAccess Control - 1~15 Power Level with Booster - Keep Warm - Quick Start / Quick Stop / Pause - 2 Stage Residual Heat Indicator - Display Colour: New Amber - Front Bevelled Frame - Flex Zone 38 x 24cm 3.3 (3.6kW) - Right Front 21cm 2.2 (3.2kW) - Right Rear 14.5cm 1.2 (2.0kW) - Total Max. Power 7.2kW

NZ64N7757GK	NZ64K7757BK	NZ64H37070K
 <p>Key features</p> <ul style="list-style-type: none"> - Flex Zone Plus - Auto Connectivity (with Hood) & WiFi - Sliding & DirectAccess Control - 1~15 Power Level with Booster - Keep Warm - Quick Start / Quick Stop / Pause - 2 Stage Residual Heat Indicator - Display Colour: New Amber - Front Bevelled Frame - Flex Zone 38 x 24cm 3.3 (3.6kW) - Right Front 21cm 2.2 (3.2kW) - Right Rear 14.5cm 1.2 (2.0kW) - Total Max. Power 7.2kW 	 <p>Key features</p> <ul style="list-style-type: none"> - Flex Zone Plus - Sliding Control - 1~15 Power Level with Booster - Keep Warm - Quick Start / Quick Stop / Pause - 2 Stage Residual Heat Indicator - Display Colour : New Amber - Front Bevelled Frame - Left 38 x 24cm 3.3 (3.6kW) - Right Front 21cm 2.2 (3.2kW) - Right Rear 14.5cm 1.4 (2.0kW) - Total Max. Power 7.2kW 	 <p>Key features</p> <ul style="list-style-type: none"> - Sliding Control - 1~9 Power Level - 2 Stage Residual Heat Indicator - Display Colour: Red - Cut Edge Frame - Left Front 14cm 1.25 (1.5kW) - Left Rear 22cm 2.35 (2.6kW) - Right Front 22cm 2.35 (2.6kW) - Right Rear 14cm 1.25 (1.5kW) - Total Max. Power 7.2kW

Ceramic Cooktop Models

Samsung Ceramic Cooktops produce a fast and powerful radiant heating. Fingertip control and easy-to-clean surfaces make them effortless to use.

C61RIAAMST
 <p>Key features</p> <ul style="list-style-type: none"> - Touch Control - 1~15 Power Levels - Residual Heat Indicator - Display Colour : New Amber - Stainless Steel Edge - Left Front 18cm (1.8kW) - Left Rear 14.5cm (1.2kW) - Right Front 14.5cm (1.2kW) - Right Rear 18cm (1.8kW) - Total Max. Power 6kW



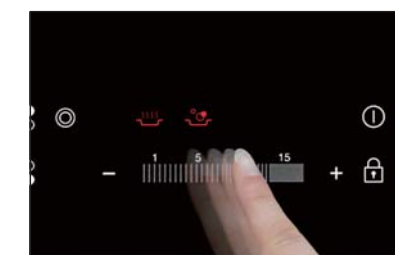
Easy to clean

With the Samsung Ceramic Cooktop, there's no need to worry about messy spills and splatters. Even after the greasiest cooking, the smooth, ergonomic surface will quickly wipe clean.



Automatic Safety

Enjoy complete peace of mind with an automatic safety shut-off function that ensures that the cooktop is always off when you want it to be. It also features a child safety lock to prevent children from turning the cooktop on.



Sliding Control

Enjoy effortless control of your cooking using the Sliding Control panel. Simply touch and glide your finger across the panel to instantly and precisely set or adjust the cooking temperature.

Gas Cooktop Models

Push back the limits of style and performance with a Samsung Gas Cooktop. Their powerful performance, effortless controllability and advanced safety features make cooking a real pleasure.



Triple Crown

Cook every dish perfectly with a Triple Crown gas burner, which produces searing, instantaneous heat, so it's ideal for woks, large pans and rapid cooking like making stir fry.



Endless Rail Grate

Even the heaviest pots and pans will slide along seamless rails, eliminating the need to lift them. Simple indicator marks also show if they're properly centred over the optimum heat. And the whole grate can be easily cleaned in a dishwasher.



Flame Failure Safety

There's no need to worry about gas leaks, as the automatic shut-down sensor provides instant protection if any stray gas is detected.

NA75J3030AS



Key features

- High Power Triple Crown(3.8kW)
- 3 Cast Iron Grate & Wok Support
- Burner Types
 - 1 Triple Crown
 - 1 Rapid
 - 1 Semi-rapid
 - 1 Auxiliary
- Electronic Ignition (One Touch Ignition)
- Safety Device (Flame Failure Device)
- LNG / LPG Convergence Kit Incl.
- Fits 56cm cutout – great for an upgrade

Included accessories

- Wok Support

NA64H3000AK



Key features

- Rapid Burner (3.0kW)
- Easy-to-Clean Tempered Glass Surface
- 4 Cast Iron Grate
- Burner Types
 - 1 Rapid
 - 2 Semi-rapid
 - 1 Auxiliary
- Electronic Ignition (One Touch Ignition)
- Safety Device (Flame Failure Device)
- LNG / LPG Convergence Kit Incl.

NA64H3010AS



Key features

- Rapid Burner (3.3kW)
- Easy-to-Clean Stainless Steel Surface
- 4 Cast Iron Grate
- Burner Types
 - 2 Rapid
 - 1 Semi-rapid
 - 1 Auxiliary
- Electronic Ignition (One Touch Ignition)
- Safety Device (Flame Failure Device)
- LNG / LPG Convergence Kit Incl.





Hood

Samsung Hoods bring pure convenience to your kitchen. With their high suction power and choice of speeds, they will quickly, quietly and efficiently remove steam, vapour and smoke - even if you should burn the toast. Carbon air filters also eliminate bad odours, so your kitchen always smells fresh.

Features



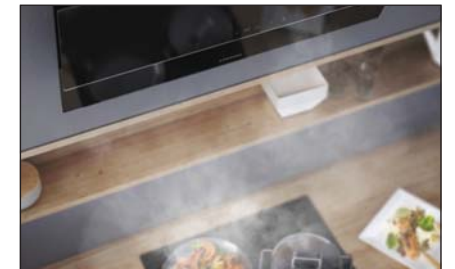
Power Ventilation System

Ensure a comfortable and healthy cooking environment with proper ventilation. A near-silent Power Ventilation System refreshes the air in a flash. Using the Booster, it has an amazing 737 cubic meters an hour suction capacity. So it gets rid of steam, fumes and odours extremely quickly and quietly.



Auto Connectivity

Enjoy the ultimate convenience when your hood turns on automatically when you start cooking, ensuring a pleasant and healthy cooking environment. Auto Connectivity* wirelessly connects the cooktop and hood together for combined control, so you instantly turn them on and off together for greater peace of mind.



Auto Sensor

Enjoy a pleasant cooking environment without having to control the hood. An Auto Sensor* optimises the ventilation speed by sensing the vapours from the cooktop. It also keeps the fan working for 10 minutes to remove any residual fumes. So you never need to worry that it's working at the right speed.

*Only available when used in combination with a Samsung cooktop



Premium Design

Upgrade your home and create an elegant modern looking kitchen. The Premium Design has a slim profile and striking black glass finish. It will harmonise well with your kitchen furniture and other appliances, including Samsung products. So it creates a seamless and streamlined look.



Washable Aluminium Filter

Make sure that your hood delivers a powerful ventilation performance for longer. A durable and easy-to-maintain Aluminium Filter captures oil and dust before it clogs the motor or hinders the airflow. It only needs cleaning every 3-4 weeks. And it is washable and small enough to go in a dishwasher.



Touch Control

Enjoy much simpler control. The bright LED panel is clear and easy to read. It also has the same intuitive touchscreen control as a smartphone. So you can quickly adjust the settings with a gentle touch. And its stylish and exclusive look will enhance your kitchen.

Hood Models

Perfect for almost any space, Samsung Hoods are designed to keep your kitchen cleaner and fresher. They quickly remove smoke and steam, as well as any lingering odours.

NK36M7070VS (90cm) NK24M7070VS (60cm)	NK36N9804VB (90cm) NK24N9804VB (60cm)	NK36N5703BS (90cm) NK24N5703BS (60cm)
 <p>Key features</p> <ul style="list-style-type: none"> - Stainless Steel - Touch Control - High Suction Power (729m³/h) - 2 LED Lighting - 4 Speed Extraction Modes (3 Level x1 Booster) - Washable Aluminium Metallic Filters - Saturation Indicator - Timer Function <p>Included accessories</p> <ul style="list-style-type: none"> - Charcoal Filter - Recirculation kit 	 <p>Key features</p> <ul style="list-style-type: none"> - Auto Connectivity (with Hob) - Auto Sensing Control - Black Glass - High Suction Power (737m³/h) - Touch Control - LED Bar Lighting - 4 Speed Extraction Modes (3 Level x1 Booster) - Washable Aluminium Metallic Filters - Saturation Indicator - Timer Function - Energy Class A+ <p>Included accessories</p> <ul style="list-style-type: none"> - Charcoal Filter - Recirculation kit 	 <p>Key features</p> <ul style="list-style-type: none"> - Auto Connectivity (with Hob) - Stylish Front Black Glass - High Suction Power (722m³/h) - Touch Control - 2 LED Lighting - 4 Speed Extraction Modes (3 Level x1 Booster) - Washable Aluminium Metallic Filters - Saturation Indicator - Timer Function - Energy Class A <p>Included accessories</p> <ul style="list-style-type: none"> - Charcoal Filter - Recirculation kit

NK24N5703BM (60cm)	NK36M5070BM (90cm) NK24M5070BM (60cm)	NK36M5070CS (90cm) NK24M5070CS (60cm)
 <p>Key features</p> <ul style="list-style-type: none"> - Auto Connectivity (with Hob) - Black Stainless with Stylish Front Black Glass - High Suction Power (722m³/h) - Touch Control - 2 LED Lighting - 4 Speed Extraction Modes (3 Level x1 Booster) - Washable Aluminium Metallic Filters - Saturation Indicator - Timer Function - Energy Class A <p>Included accessories</p> <ul style="list-style-type: none"> - Charcoal Filter - Recirculation kit 	 <p>Key features</p> <ul style="list-style-type: none"> - Black Stainless with Stylish Front Black Glass - Touch Control - High Suction Power (668m³/h) - 2 LED Lighting - 4 Speed Extraction Modes (3 Level x1 Booster) - Washable Aluminium Metallic Filter - Saturation Indicator - Timer Function <p>Included accessories</p> <ul style="list-style-type: none"> - Charcoal Filter - Recirculation kit 	 <p>Key features</p> <ul style="list-style-type: none"> - Stainless Steel Glass Construction - Touch Control - High Suction Power (670m³/h) - 2 LED Lighting - 4 Speed Extraction Modes (3 Level x1 Booster) - Washable Aluminium Metallic Filters - Saturation Indicator - Timer Function <p>Included accessories</p> <ul style="list-style-type: none"> - Charcoal Filter - Recirculation kit

NK24M3050PS (60cm)	NK24M1030IS (60cm)
 <p>Key features</p> <ul style="list-style-type: none"> - Stainless Steel - Button Control - 512m³/h Suction Power - Bulb Lighting Lamp - 3 Speed Extraction Modes - Washable Aluminium Metallic Filters <p>Included accessories</p> <ul style="list-style-type: none"> - Charcoal Filter - Recirculation kit 	 <p>Key features</p> <ul style="list-style-type: none"> - Stainless Steel - Push button controls - 2 Bulb Lighting Lamps - 3 Speed Extraction Modes - Washable Aluminium Metallic Filters <p>Included accessories</p> <ul style="list-style-type: none"> - Charcoal Filter - Recirculation kit



Dishwasher

Engineered with Samsung's advanced WaterWall™ technology, it provides outstanding cleaning, as well as superior energy efficiency and low noise. And it also has a large, flexible capacity so you can simply do a half load if there's not much to wash.



Features



WaterWall™ Technology

Our innovative WaterWall™ dishwasher uses a revolutionary sweeping wall of jet-powered water to deliver outstanding coverage and cleaning results. Elevate your dining experience with sparkling dishes.



Zone Booster™

Wash heavily soiled pots and lightly soiled dishes at the same time with two targeted washing zones on the lower rack. Simply select a zone to automatically increase the water pressure and temperature.



WiFi Connectivity (Smart Control)

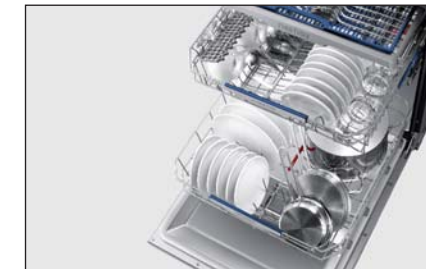
Remotely monitor and control what the dishwasher is doing from anywhere at any time using an App* on your smartphone. Monitor the progress of a cleaning cycle, remotely turn it on and off, select or adjust the cycles to use and receive diagnostics information.

*Requires SmartThings App, available on Android and iOS.



Air Flow Drying with Auto Open

At the end of a cycle the door automatically opens to allow steam to escape, giving better drying results. A fan on the top of the dishwasher ensures your worktop isn't damaged.



Flexible Third Rack

Our unique Third Rack is designed to accommodate all sizes and shapes of cutlery and cooking utensils. With the simple slide-in-and-out operation, you can easily fit items inside.



Daily 55™ Cycle

A 55 minute Daily Cycle saves you time by getting your dishes clean and dry much faster. It's ideal for smaller loads of lightly soiled items that don't need really intensive cleaning, such as cups and cutlery, as it will put them through a complete washing and drying cycle within just 55 minutes.



Easy Load Racking System

Easily load and unload all sizes of dishes. The tines in the lower rack can be fully folded down to make space for large items. And its newly designed wheels move more easily and comfortably. Its upper rack can also be quickly raised up or down.



Hygiene Rinsing

A hygiene button provides sanitary cleaning to minimise germs and bacteria. Its cleansing final rinse heats the water up to 70°C and maintains this temperature for several minutes, so dishes come out hygienically clean.



Premium Design

Styled to fit seamlessly with your kitchen furniture and enhance your home with a harmonious, modern appearance.

Integrated Dishwasher Models

If you like to keep things neat, then the Fully Integrated Samsung Dishwasher is perfect for you. It's extremely quiet despite its large capacity, so much so that you might forget it's even there.

DW60M9970BB



Key features

- WaterWall™ Technology
- Zone Booster™
- 14 Place Settings
- WiFi Control
- Flexible Third Rack
- Auto Door Open
- Daily 55™ Cycle
- Energy Class A+++
- Water Consumption: Annual 2716L (9.7L / Cycle)
- 41 dBA Noise Level
- 6 Programs: Intensive, Auto, Delicate, Eco, Express, Pre-Wash
- Delay Start
- Aqua Stop



DW60M6040BB



Key features

- 13 Place Settings
- Easy Height Adjustment
- Half Load Option
- Hygiene Option
- 60min Express Wash
- Energy Class A++
- Full Stainless Steel Tub
- Cutlery basket
- Water Consumption: Annual 2940L (10.5L / Cycle)
- 44 dBA Noise Level
- 6 Programs: Intensive, Auto, Delicate, Eco, Express, Pre-Wash
- Delay Start
- Aqua Stop

DW60M5050BB



Key features

- 13 Place Settings
- Easy Height Adjustment
- Half Load Option
- Hygiene Option
- 60min Express Wash
- Energy Class A+
- Full Stainless Steel Tub
- Cutlery basket
- Water Consumption: Annual 3360L (12L / Cycle)
- 48 dBA Noise Level
- 5 Programs: Intensive, Normal, Delicate, Eco, Express
- Delay Start
- Aqua Stop

DW50R4040BB



Key features

- 9 Place Settings
- Half Load Option
- Hygiene Option
- Energy Class A+
- Full Stainless Steel Tub
- Cutlery basket
- Flexible Racks
- Water Consumption: Annual 2660L (9.5L / Cycle)
- 46 dBA Noise Level
- 6 Programs: Normal, Auto, Delicate, Eco, Express, Quick
- Delay Start
- Aqua Stop

Models

Refrigeration

Freestanding Fridge Freezers



Model Code	RB36R883PSR	RZ32M7120B1	RR39M7340B1	RZ32M71207F	RR39M73407F
Capacity (L)					
Net Total	355	315	375	315	380
Net Freezer	110	315	0	315	-
Net Fridge	245	0	375	-	380
Net Convertible Zone	110	0	-	-	-
Gross Total	380	330	390	-	390
Gross Freezer	130	330	0	335	-
Gross Fridge	250	0	390	-	390
Net Fridge Freezer Split (%)	70/30	N/A	N/A	0/100	100/0
Dimensions					
Net Depth Without Handle	590	644	644	644	644
Net (W x H x D)	595 x 2017 x 590 mm	595 x 1893 x 694 mm	595 x 1893 x 694 mm	595 x 1853 x 694 mm	595 x 1853 x 694 mm
Packaging (W x H x D)	637 x 2090 x 686 mm	646 x 1950 x 760 mm	646 x 1950 x 760 mm	646 x 1950 x 760 mm	646 x 1950 x 760 mm
Weight (kg)					
Net/Packaging	74/77	77/82	71/76	86/93	82/89
Cooling Features					
Cooling Technology	Twin Cooling Plus	All-Around Cooling	All-Around Cooling	All-Around Cooling	All-Around Cooling
Multi-airflow cooling	Yes	Yes	Yes	Yes	Yes
No Frost	Yes	Yes	Yes	Yes	Yes
Control Panel					
Display Location	External	External	External	External	External
Display Type	Touch Button	Touch Button	Touch Button	Ice Blue LED	Ice Blue LED
Fridge Temp. Control	Yes	N/A	Yes	-	Yes
Freezer Temp. Control	Yes	Yes	N/A	Yes	-
Power Freeze	Yes	Yes	N/A	Yes	-
Power Cool	Yes	N/A	Yes	-	-
Holiday Mode	Yes	Yes	Yes	-	Yes
Child Lock (Display)	Yes	Yes	Yes	Yes	Yes
Filter Change Indicator	N/A	N/A	N/A	-	-
Refrigeration Features					
No. of Drawers	2	-	2	-	2
No. of Shelves	3	-	6	-	6
Tempered Glass Shelves	Yes	-	Yes	-	Yes
Egg Container	Yes	-	Yes	-	Yes
Foldable Shelving	Yes	-	Yes	-	Yes
No. of Door Pockets	6	-	7	-	7
Water Dispenser (Non-plumbed)	-	-	Yes	-	Yes
LED Lighting	Yes	-	Yes	-	Yes
Wine Rack	Yes	-	Yes	-	Yes
Convertible Temp. Zone	Yes	-	No	-	-
Humidity Control Drawers	Yes	-	Yes	-	Yes
Metal Cooling	Yes	-	No	-	-
SpaceMax Technology™	Yes	Yes	Yes	-	Yes
Freezer Features					
Automatic Ice Maker	No	No	-	-	-
Ice Maker Position	-	Inside of Door	-	Inside of Door	-
Cubed or Crushed Ice	-	Cubed only	-	Cubed only	-
Filtered & Plumbed Water Dispenser	-	No	-	-	-
Water Filter Type	-	-	-	-	-
Freezer System	Frost Free	Frost Free	-	Frost Free	-
No. of Shelves	0	6	-	6	-
No. of Freezer Drawers	3	4	-	4	-
No. of Door Pockets	0	0	-	2	-
LED Lighting	No	Yes	-	Yes	-
Exterior Features					
Colour	Real Stainless	Black Stainless	Black Stainless	Refined Steel	Refined Steel
Reversible Doors	Yes	Yes	Yes	Yes	Yes
Handle Type	Recessed	Bar	Bar	Bar	Bar
Other Information					
Warranty (yrs)	5 (by redemption)	5 (by redemption)	5 years by redemption	5 (by redemption)	5 (by redemption)
Door Alarm	Yes	Yes	Yes	Yes	Yes
Freezer Star Rating	4 Star	4 Star	N/A	4 star	N/A
Energy Grade	A++	A+	A+	A+	A+
Climate Class	SN, N, ST, T	SN, N, ST, T	SN,N,ST,T	SN-T	SN-T
Ambient Operating Temp.	10°C - 43°C	10°C - 43°C	10-43°C	10°C - 43°C	10°C - 43°C
Freezing Capacity (kg/24hr)	13	21	N/A	21	N/A
Temperature Rise Time (hr)	18	12	N/A	12	N/A
Noise Level (dB)	38	41	41	41	41
Energy Consumption (kWh/annum)	262	352	146	277	146
Refrigerant	R600a	R600a	R600a	R600a	R600a
Controllable Temp./Special compartment					
Suitable for (food types)	All, frozen and chilled foods	-	-	-	-
Temperature range	-23/-17/-1/2°C	-	-	-	-
Capacity (L)	110	-	-	-	-
Clear Front	No	-	-	-	-
Special features	Can be Fridge or freezer	-	-	-	-
Control features	Choose between 4 temperatures	-	-	-	-
Further Information					
HFC Free	Yes	Yes	Yes	Yes	Yes
CFC Free	Yes	Yes	Yes	Yes	Yes
Suitable for outbuildings	No	No	No	No	No
Special features	2 units can be paired together to make a large Multi Door Fridge freezer	Can be paired with the matching fridge	Can be paired with the matching freezer	-	-
Door hinge (Left, Right, Reversible)	Left and Right	Left and Right	Left and Right	Reversible	Right Reversible

Models

Dual Cook Flex™



Model Code	NV75N7677RS	NV75N7647RS	NV75R7676RS
Oven Features			
Energy Class	A+	A+	A+
Cavity Wall	Flat / Side Racks	Flat / Side Racks	Flat / Side Racks
Oven Colours	Stainless Steel	Stainless Steel	Stainless Steel
Door	Glass panes Opening Soft Closing Door	Quadruple Drop Down No	Double Drop Down No
Interior Lamp (W)	25W / 40W (Halogen)	25W / 40W (Halogen)	25W / 40W (Halogen)
Interior Lights (Position)	Top / Side	Top / Side	Top / Side
Control	Control Panel Height Display Control Method	85mm LED / Ice Blue Pop-up Dial (with Touch Buttons)	85mm LED / Ice Blue Pop-up Dial (with Touch Buttons)
Control	Control Panel Height Display Control Method	85mm LED / Ice Blue Pop-up Dial (with Touch Buttons)	85mm LED / Ice Blue Pop-up Dial (with Touch Buttons)
Cleaning Method	Pyrolytic Catalytic Steam Grill Heater	Pyrolytic No Steam Cleaning Fixed	No Yes (Back Wall) Steam Cleaning Swing
Electric Features			
Temp Ranges	Single Convection Single Grill Upper or Lower Twin	30-275°C 100-300°C 40-250°C 40-250°C	30-275°C 100-300°C 40-250°C 40-250°C
Upper Grill (Small / Large)	1600W / 1100W	1600W / 1100W	1600W / 1100W
Bottom Heater	1100W	1100W	1100W
Convection (Upper / Lower)	1200W / 1200W	1200W/1200W	1200W/1200W
Input Power	3650-3950W	3650-3950W	3650-3950W
Over Voltage Protection	Yes	Yes	Yes
Cooking Modes			
Single Mode	Oven Modes Conventional Convection Eco Convection Large Grill Eco Grill Fan Grill Bottom Heat + Convection Top Heat + Convection Bottom Heat Intensive Cook Pro-roasting Special Function Vapour + Convection Vapour Top Heat + Convection Vapour Bottom Heat + Convection Steam Cook Steam Assist Keep Warm Plate Warm Defrost Prove Dough Slow Cook Drying Auto Cook Recipes Favourite (=Memory Cook)	30-275°C 30-275°C 30-275°C 100-300°C 100-300°C No 40-275°C 40-275°C 100-230°C No 80-200°C No No No No No 40 EA (Twin Mode 10 EA) No	30-275°C 30-275°C 30-275°C 100-300°C 100-300°C No 40-275°C 40-275°C 100-230°C No 80-200°C No No No No No 40 EA (Twin Mode 10 EA) No
Upper Mode	Convection Top Heat + Convection Large Grill	40-250°C 40-250°C 40-250°C	40-250°C 40-250°C 40-250°C
Lower Mode	Convection Bottom Heat Bottom Heat + Convection Steam Cook Steam Assist	40-250°C 40-230°C 40-250°C No No	40-250°C 40-230°C 40-250°C No No
Twin Mode	(Upper) Mode x (Lower) Mode	3 Mode x 3 Mode = 9 EA	3 Mode x 3 Mode = 9 EA
Control Features			
Clock	Yes	Yes	Yes
Child Safety Lock	Yes	Yes	Yes
Count Timer	Yes	Yes	Yes
Cook Time	Yes	Yes	Yes
End Time	Yes	Yes	Yes
Language Option	No	No	No
Sound	Yes	Yes	Yes
Equipment Supplied			
Accessory	Telescopic Tray Rack Rotisserie Spit Meat Probe Cookbook (CD)	1 Level Baking Tray 2 EA Wire Rack 1 EA No No Yes	1 Level Baking Tray 2 EA Wire Rack 1 EA No No Yes
Application Dimensions			
Dimension (W x H x D)	Outside Cutout Shipping	595 x 595 x 570 560 x 572 x 549 694 x 660 x 660	595 x 595 x 570 560 x 572 x 549 694 x 660 x 660
Capacity	Net Volume Net Volume (Upper or Lower)	75L 34 / 32L	75L 34 / 32L
Weight	Gross Net	53.7 49	46.7 42

Models

Dual Cook Flex™



Model Code		NV75R7676RB	NV75R7646RB
Oven Features			
Energy Class		A+	A+
Cavity Wall		Flat / Side Racks	Flat / Side Racks
Oven Colours		Stainless Steel	Stainless Steel
Door	Glass panes	Quadruple	Double
	Opening	Drop Down	Drop Down
	Soft Closing Door	No	No
Interior Lamp (W)		25W / 40W (Halogen)	25W / 40W (Halogen)
Interior Lights (Position)		Top / Side	Top / Side
Control	Control Panel Height	85mm	85mm
	Display	LED / Ice Blue	LED / Ice Blue
	Control Method	Pop-up Dial (with Touch Buttons)	Pop-up Dial (with Touch Buttons)
	WiFi	Yes	Yes
Cleaning Method	Pyrolytic	Pyrolytic	No
	Catalytic	No	Yes (Back Wall)
	Steam	Steam Cleaning	Steam Cleaning
	Grill Heater	Fixed	Swing
Electric Features			
Temp Ranges	Single Convection	30-275°C	30-275°C
	Single Grill	100-300°C	100-300°C
	Upper or Lower	40-250°C	40-250°C
	Twin	40-250°C	40-250°C
Upper Grill (Small / Large)		1600W / 1100W	1600W / 1100W
Bottom Heater		1100W	1100W
Convection (Upper / Lower)		1200W / 1200W	1200W / 1200W
Input Power		3650-3950W	3650-3950W
Over Voltage Protection		Yes	Yes
Cooking Modes			
Single Mode	Oven Modes		
	Conventional	30-275°C	30-275°C
	Convection	30-275°C	30-275°C
	Eco Convection	30-275°C	30-275°C
	Large Grill	100-300°C	100-300°C
	Eco Grill	100-300°C	100-300°C
	Fan Grill	No	No
	Bottom Heat + Convection	40-275°C	40-275°C
	Top Heat + Convection	40-275°C	40-275°C
	Bottom Heat	100-230°C	100-230°C
	Intensive Cook	No	No
	Pro-roasting	80-200°C	80-200°C
	Special Function		
	Vapour + Convection	No	No
	Vapour Top Heat + Convection	No	No
	Vapour Bottom Heat + Convection	No	No
	Steam Cook	No	No
	Steam Assist	No	No
	Keep Warm	40-100°C	40-100°C
	Plate Warm	30-80°C	30-80°C
	Defrost	No	No
	Prove Dough	No	No
	Slow Cook	No	No
	Drying	No	No
	Auto Cook Recipes	40 EA (Twin Mode 10 EA)	40 EA (Twin Mode 10 EA)
	Favourite (=Memory Cook)	No	No
Upper Mode	Convection	40-250°C	40-250°C
	Top Heat + Convection	40-250°C	40-250°C
	Large Grill	40-250°C	40-250°C
Lower Mode	Convection	40-250°C	40-250°C
	Bottom Heat	40-230°C	40-230°C
	Bottom Heat + Convection	40-250°C	40-250°C
	Steam Cook	No	No
	Steam Assist	No	No
Twin Mode	(Upper) Mode x (Lower) Mode	3 Mode x 3 Mode = 9 EA	3 Mode x 3 Mode = 9 EA
Control Features			
	Clock	Yes	Yes
	Child Safety Lock	Yes	Yes
	Count Timer	Yes	Yes
	Cook Time	Yes	Yes
	End Time	Yes	Yes
	Language Option	No	No
	Sound	Yes	Yes
Equipment Supplied			
Accessory	Telescopic	1 Level	1 Level
	Tray	Baking Tray 2 EA	Baking Tray 2 EA
	Rack	Wire Rack 1 EA	Wire Rack 1 EA
	Rotisserie Spit	Yes	No
	Meat Probe	No	No
	Cookbook (CD)	Yes	Yes
Application Dimensions			
Dimension (W x H x D)	Outside	595 x 595 x 570	595 x 595 x 570
	Cutout	560 x 572 x 549	560 x 572 x 549
	Shipping	694 x 660 x 660	694 x 660 x 660
Capacity	Net Volume	75L	75L
	Net Volume (Upper or Lower)	34 / 32L	34 / 32L
Weight	Gross	53.7	46.7
	Net	49	42

Models

Gourmet Vapour/Dual Cook



Model Code		NV73N9770RM	NV73J9770RS	NV73J7740RS	NV75J7570RS
Oven Features					
Energy Class		A+	A+	A+	A
Cavity Wall		Flat / Side Racks	Flat / Side Racks	Flat / Side Racks	Flat / Side Racks
Oven Colours		Black Stainless Steel (Matt)	Stainless Steel	Stainless Steel	Stainless Steel
Door	Glass panes	Quadruple	Quadruple	Triple	Quadruple
	Opening	Drop Down	Drop Down	Drop Down	Drop Down
	Soft Closing Door	Soft Close	Soft Close	Soft Close	Soft Close
Interior Lamp (W)		25W (Halogen)	40W (Halogen)	40W (Halogen)	40W / 40W (Halogen)
Interior Lights (Position)		Top	Top	Top	Top / Side
Control	Control Panel Height	85mm	85mm	85mm	85mm
	Display	4.6" Touch LCD	4.6" Touch LCD	LED / Ice Blue	LED / Ice Blue
	Control Method	Touch TFT LCD	Touch LCD	Full Touch	Pop-up Dial (with Touch Buttons)
	WiFi	Yes	Yes	No	No
Cleaning Method	Pyrolytic	Pyrolytic	Pyrolytic	No	Pyrolytic
	Catalytic	No	No	Yes (Back Wall)	No
	Steam	Steam Cleaning	Steam Cleaning	Steam Cleaning	Steam Cleaning
	Grill Heater	Fixed	Fixed	Swing	Fixed
Electric Features					
Temp Ranges	Single Convection	30-275°C	30-275°C	30-275°C	30-275°C
	Single Grill	100-300°C	100-300°C	100-300°C	100-300°C
	Upper or Lower	No	No	No	40-250°C
	Twin	No	No	No	40-250°C
Upper Grill (Small / Large)		1600W / 1100W	1600W / 1100W	1600W / 1100W	1600W / 1100W
Bottom Heater		1100W	1100W	1100W	1100W
Convection (Upper / Lower)		1800W	1800W	1800W	1200W / 1200W
Input Power		3500-3850W	3500-3850W	3500-3850W	3650-3950W
Over Voltage Protection		Yes	Yes	Yes	Yes
Cooking Modes					
Single Mode	Oven Modes				
	Conventional	30-275°C	30-275°C	30-275°C	30-275°C
	Convection	30-275°C	30-275°C	30-275°C	30-275°C
	Eco Convection	30-275°C	30-275°C	30-275°C	30-275°C
	Large Grill	100-300°C	100-300°C	100-300°C	100-300°C
	Eco Grill	100-300°C	100-300°C	100-300°C	100-300°C
	Fan Grill	100-275°C	100-275°C	No	No
	Bottom Heat + Convection	40-275°C	40-275°C	40-275°C	40-275°C
	Top Heat + Convection	40-275°C	40-275°C	40-275°C	40-275°C
	Bottom Heat	100-230°C	100-230°C	No	100-230°C
	Intensive Cook	40-275°C	40-275°C	No	No
	Pro-roasting	80-200°C	80-200°C	80-200°C	80-200°C
	Special Function				
	Vapour + Convection	120-275°C	120-275°C	120-275°C	No
	Vapour Top Heat + Convection	120-275°C	120-275°C	120-275°C	No
	Vapour Bottom Heat + Convection	120-275°C	120-275°C	120-275°C	No
	Steam Cook	No	No	No	No
	Steam Assist	No	No	No	No
	Keep Warm	40-100°C	40-100°C	40-100°C	40-100°C
	Plate Warm	30-80°C	30-80°C	30-80°C	30-80°C
	Defrost	No	No	No	No
	Prove Dough	No	No	No	No
	Slow Cook	70-120°C	70-120°C	No	No
	Drying	40-90°C	40-90°C	No	No
	Auto Cook Recipes	80 EA	80 EA	40 EA	40 EA (Twin Mode 10 EA)
	Favourite (=Memory Cook)	10 EA	10 EA	No	No
Upper Mode	Convection	No	No	No	40-250°C
	Top Heat + Convection	No	No	No	40-250°C
	Large Grill	No	No	No	200-250°C
Lower Mode	Convection	No	No	No	40-250°C
	Bottom Heat	No	No	No	100-230°C
	Bottom Heat + Convection	No	No	No	40-250°C
	Steam Cook	No	No	No	No
	Steam Assist	No	No	No	No
Twin Mode	(Upper) Mode x (Lower) Mode	No	No	No	3 Mode x 3 Mode = 9 EA
Control Features					
	Clock	Yes	Yes	Yes	Yes
	Child Safety Lock	Yes	Yes	Yes	Yes
	Count Timer	Yes	Yes	Yes	Yes
	Cook Time	Yes	Yes	Yes	Yes
	End Time	Yes	Yes	Yes	Yes
	Language Option	Yes	11 EA	No	No
	Sound	Yes	Yes	Yes	Yes
Equipment Supplied					
Accessory	Telescopic	1 Level	1 Level	1 Level	1 Level
	Tray	2 EA	2 EA	2 EA	2 EA
	Rack	Wire Rack 1 EA, Wire Inlay 1 EA	Wire Rack 1 EA, Wire Inlay 1 EA	Wire Rack 1 EA, Wire Inlay 1 EA	Wire Rack 1 EA
	Rotisserie Spit	No	No	No	Yes
	Meat Probe	Meat Probe	Meat Probe	Meat Probe	No
	Cookbook (CD)	Yes	Yes	Yes	Yes
Application Dimensions					
Dimension (W x H x D)	Outside	595 x 595 x 570	595 x 595 x 566	595 x 595 x 566	595 x 595 x 566
	Cutout	560 x 572 x 549	560 x 572 x 545	560 x 572 x 545	560 x 572 x 545
	Shipping	694 x 660 x 660	682 x 645.5 x 656	682 x 645.5 x 656	682 x 645.5 x 656
Capacity	Net Volume	73L	73L	73L	75L
	Net Volume (Upper or Lower)	No	No	No	34 / 32L
Weight	Gross	48.6	48.6	43.6	50.0
	Net	45.9	45.9	40.8	47.2

Models

Dual Cook/Dual Fan



Model Code		NV75K5571RM	NV75R7576RB
Oven Features			
Energy Class		A	A
Cavity Wall		Flat / Side Racks	Flat / Side Racks
Oven Colours		Black Stainless Steel	Black Glass
Door	Glass panes	Quadruple	Quadruple
	Opening	Drop Down	Drop Down
	Soft Closing Door	No	No
Interior Lamp (W)		40W / 40W (Halogen)	25W / 40W (Halogen)
Interior Lights (Position)		Top / Side	Top / Side
Control	Control Panel Height	85mm	85mm
	Display	LED / Ice Blue	LED / Ice Blue
	Control Method	Pop-up Dial	Full Touch
	WiFi	No	No
Cleaning Method	Pyrolytic	Pyrolytic	Yes
	Catalytic	No	No
	Steam	Steam Cleaning	Yes
	Grill Heater	Fixed	Swing
Electric Features			
Temp Ranges	Single Convection	30-250°C	30-275°C
	Single Grill	100-270°C	100-300°C
	Upper or Lower	40-250°C	40-250°C
	Twin	40-250°C	40-250°C
Upper Grill (Small / Large)		1600W / 1100W	1600W/1100W
Bottom Heater		1100W	1100W
Convection (Upper / Lower)		1200W / 1200W	1200W/1200W
Input Power		3650-3950W	3650-3950W
Over Voltage Protection		Yes	Yes
Cooking Modes			
Single Mode	Oven Modes		
	Conventional	30-250°C	30-275°C
	Convection	30-250°C	30-275°C
	Eco Convection	30-250°C	30-275°C
	Large Grill	100-270°C	100-300°C
	Eco Grill	100-270°C	100-300°C
	Fan Grill	No	No
	Bottom Heat + Convection	40-250°C	40-275°C
	Top Heat + Convection	40-250°C	40-275°C
	Bottom Heat	100-230°C	100-230°C
	Intensive Cook	No	No
	Pro-roasting	80-200°C	80-200°C
	Special Function		
	Vapour + Convection	No	No
	Vapour Top Heat + Convection	No	No
	Vapour Bottom Heat + Convection	No	No
	Steam Cook	No	No
	Steam Assist	No	No
	Keep Warm	40-100°C	40-100°C
	Plate Warm	30-80°C	30-80°C
	Defrost	No	No
	Prove Dough	No	No
	Slow Cook	No	No
	Drying	No	No
	Auto Cook Recipes	40 EA (Twin Mode 10 EA)	40 EA (Twin Mode 10 EA)
	Favourite (=Memory Cook)	No	No
Upper Mode	Convection	40-250°C	40-250°C
	Top Heat + Convection	40-250°C	40-250°C
	Large Grill	200-250°C	40-250°C
Lower Mode	Convection	40-250°C	40-250°C
	Bottom Heat	100-230°C	40-250°C
	Bottom Heat + Convection	40-250°C	40-250°C
	Steam Cook	No	No
	Steam Assist	No	No
Twin Mode	(Upper) Mode x (Lower) Mode	3 Mode x 3 Mode = 9 EA	3 Mode x 3 Mode = 9 EA
Control Features			
	Clock	Yes	Yes
	Child Safety Lock	Yes	Yes
	Count Timer	Yes	Yes
	Cook Time	Yes	Yes
	End Time	Yes	Yes
	Language Option	No	No
	Sound	Yes	Yes
Equipment Supplied			
Accessory	Telescopic	1 Level	1 Level
	Tray	1 EA	2 EA (30 mm x 2)
	Rack	Wire Rack 2 EA	Wire Rack
	Rotisserie Spit	No	No
	Meat Probe	No	No
	Cookbook (CD)	Yes	Cookbook (CD)
Application Dimensions			
Dimension (W x H x D)	Outside	595 x 595 x 566	595 x 595 x 566
	Cutout	560 x 572 x 545	560 x 572 x 545
	Shipping	682 x 645.5 x 656	682 x 645.5 x 656
Capacity	Net Volume	75L	75L
	Net Volume (Upper or Lower)	35 / 32L	34 / 32L
Weight	Gross	50.0	49.5
	Net	47.2	46.2

Models

Dual Fan



Model Code		NV70K1340BS	NV70K1340BB
Oven Features			
Energy Class		A	A
Cavity Wall		Flat / Side Racks	Flat / Side Racks
Oven Colours		Stainless Steel	Black Stainless Steel
Door	Glass panes	Triple	Triple
	Opening	Drop Down	Drop Down
	Soft Closing Door	No	No
Interior Lamp (W)		25W (Halogen)	25W (Halogen)
Interior Lights (Position)		Side	Side
Control	Control Panel Height	115mm	115mm
	Display	LED / Ice Blue	LED / Ice Blue
	Control Method	Non Pop-up Dial	Non Pop-up Dial
	WiFi	No	No
Cleaning Method	Pyrolytic	No	No
	Catalytic	Yes (Back Wall)	Yes (Back Wall)
	Steam	No	No
	Grill Heater	Fixed	Fixed
Electric Features			
Temp Ranges	Single Convection	50-250°C	50-250°C
	Single Grill	1 / 2 / 3 Level	1 / 2 / 3 Level
	Upper or Lower	No	No
	Twin	No	No
Upper Grill (Small / Large)		1600W / 700W	1600W / 700W
Bottom Heater		600W	600W
Convection (Upper / Lower)		1700W	1700W
Input Power		3400-3600W	3400-3600W
Over Voltage Protection		No	No
Cooking Modes			
Single Mode	Oven Modes		
	Conventional	50-250°C	50-250°C
	Convection	50-250°C	50-250°C
	Eco Convection	No	No
	Large Grill	1 / 2 / 3	1 / 2 / 3
	Eco Grill	No	No
	Fan Grill	No	No
	Bottom Heat + Convection	50-250°C	50-250°C
	Top Heat + Convection	50-250°C	50-250°C
	Bottom Heat	No	No
	Intensive Cook	No	No
	Pro-roasting	No	No
	Special Function		
	Vapour + Convection	No	No
	Vapour Top Heat + Convection	No	No
	Vapour Bottom Heat + Convection	No	No
	Steam Cook	No	No
	Steam Assist	No	No
	Keep Warm	No	No
	Plate Warm	No	No
	Defrost	No	No
	Prove Dough	No	No
	Slow Cook	No	No
	Drying	No	No
	Auto Cook Recipes	No	No
	Favourite (=Memory Cook)	No	No
Upper Mode	Convection	No	No
	Top Heat + Convection	No	No
	Large Grill	No	No
Lower Mode	Convection	No	No
	Bottom Heat	No	No
	Bottom Heat + Convection	No	No
	Steam Cook	No	No
	Steam Assist	No	No
Twin Mode	(Upper) Mode x (Lower) Mode	No	No
Control Features			
	Clock	Yes	Yes
	Child Safety Lock	Yes	Yes
	Count Timer	Yes	Yes
	Cook Time	Yes	Yes
	End Time	No	No
	Language Option	No	No
	Sound	Yes	Yes
Equipment Supplied			
Accessory	Telescopic	No	No
	Tray	1 EA	1 EA
	Rack	Wire Rack 1 EA	Wire Rack 1 EA
	Rotisserie Spit	No	No
	Meat Probe	No	No
	Cookbook (CD)	No	No
Application Dimensions			
Dimension (W x H x D)	Outside	595 x 595 x 566	595 x 595 x 566
	Cutout	560 x 572 x 545	560 x 572 x 545
	Shipping	682 x 645.5 x 656	682 x 645.5 x 656
Capacity	Net Volume	70L	70L
	Net Volume (Upper or Lower)	No	No
Weight	Gross	34.9	34.9
	Net	32.6	32.6

Models Compact Oven



Model Code	NQ50N9530BM	NQ50J9530BS	NQ50J5530BS	NQ50K5130BS
Oven Features				
Type	Combi MWO	Combi MWO	Combi MWO	MWO Solo
Cavity Material	Ceramic Enamel	Ceramic Enamel	Ceramic Enamel	Ceramic Enamel
Oven Colour (Con-panel / Door)	Black Stainless Steel (Matt)	Stainless Steel	Stainless Steel	Stainless Steel
Door	Glass	Triple	Triple	Triple
	Opening	Drop Down	Drop Down	Drop Down
	Handle Colour	Black Stainless Steel	Stainless Steel	Stainless Steel
	Prestop Hinge	Yes	Yes	No
Interior Lamp (Watts)	40W (Halogen)	40W (Halogen)	40W (Halogen)	1 x 25W (Wide)
Interior Lights	Left (Side)	Left (Side)	Left (Side)	Left (Side)
Control	Control Panel Height	85 mm	85 mm	85 mm
	Display	4.6" Touch LCD	4.6" Touch LCD	LED / Ice Blue
	Control Method	Touch LCD	Pop-up Dial (with Touch Buttons)	Pop-up Dial (with Touch Buttons)
Cleaning Method	Steam	Yes	Yes	Yes
	Grill Heater	Fixed	Fixed	No
Electric Features				
MWO Watts	900 W	900 W	800 W	900 W
Oven Temp Ranges	Convection: 40~250°C Grill: 150~250°C	Convection: 40~250°C Grill: 150~250°C	Convection: 40~230°C Grill: 150~230°C	No
Upper Grill (In / Out)	2500W	1400W / 1100W	1400W / 1100W	No
Lower Grill	1000W	1000W	1000W	No
Convection (Upper / Lower)	1000W	1000W	No	No
Fan	2	2	1	No
Input Power	3200W	3200W	3000W	1650W
Cooking Modes				
MWO Mode	MWO	Yes	Yes	Yes
	Auto Defrost	Yes (5 EA)	Yes (5 EA)	Yes
	Auto Reheat	No	No	Yes
	Keep Warm (MWO)	Yes	No	Yes
	Power Level (MWO)	100/180/300/450/600/750/900	100/180/300/450/600/750/900	100/180/300/450/600/750/900
Combi-MWO Mode (MWO + Oven)	MWO + Grill	Yes	Yes	No
	MWO + Convection	Yes	Yes	No
	MWO + Roast	Yes	Yes	No
Oven Mode	Steam Generator	No	No	No
	Steam + Convection	No	No	No
	Steam + Reheat	No	No	No
	Convection	Yes	Yes	No
	Roasting (Convection + Top)	Yes	Yes	No
	Heat	Yes	Yes	No
	Conventional	Yes	Yes	No
	Grill	Yes	Yes	No
	Fan Grill	Yes	Yes	No
	Pizza (Convection + Bottom)	Yes	Yes	No
	Intensive (Top + Bottom + Convection)	Yes	Yes	No
Vegetable Function	Pro-Roasting	No	No	No
Multi-level Cook Mode	Eco Convection	Yes	Yes	No
Keep Warm Mode		Yes	Yes	No
Deodorization		No	No	Yes
Auto Cook Recipes	40 EA (Auto Cook 31 EA, Speed Cook 4 EA, Auto Defrost 5EA)	40 EA (Auto Cook 31 EA, Speed Cook 4 EA, Auto Defrost 5EA)	25 EA (Auto Cook 10 EA, Auto Defrost 5 EA, Vegetable 10 EA)	20 EA (Auto Cook 15 EA, Auto Defrost 5 EA)
Control Features				
	Clock	Yes	Yes	Yes
	Child Safety Lock	Yes	Yes	Yes
	Cook Time	Yes	Yes	No
	End Timer	Yes	Yes	No
	Oven Temp	Yes	Yes	No
	Sound	Buzzer	Buzzer	Buzzer
	Sound On / Off (Hidden)	Yes	Yes	No
	Demo Mode	Yes (Hidden)	Yes (Hidden)	Yes (Hidden)
Equipment Supplied				
Accessory	Ceramic Tray	1 EA	1 EA	1 EA
	Baking Tray	2 EA	2 EA	No
	Wire Rack	1 EA	1 EA	No
	Wire Tray Insert	1 EA	1 EA	No
	Steam Tray	No	No	1 EA (Pure Steam Bowl)
Application Dimensions				
Dimension (W x H x D)	Outside	595 x 456 x 570	595 x 454.2 x 570	595 x 454.2 x 570
	Cutout	560 x 446 x 549	555 x 445 x 548.8	555 x 445 x 548.8
	Shipping	700 x 578 x 663	700 x 578 x 663	700 x 578 x 663
Capacity	Usable Capacity	50 L	50 L	50 L

Models Compact Oven



Model Code	NQ50K3130BM
Oven Features	
Type	MWO Solo
Cavity Material	Ceramic Enamel
Oven Colour (Con-panel / Door)	Black Stainless Steel (Matt Black)
Door	Glass
	Opening
	Handle Colour
	Prestop Hinge
Interior Lamp (Watts)	1 x 25W (Wide)
Interior Lights	Left (Side)
Control	Control Panel Height
	Display
	Control Method
Cleaning Method	Steam
	Grill Heater
Electric Features	
MWO Watts	900 W
Oven Temp Ranges	No
Upper Grill (In / Out)	No
Lower Grill	No
Convection (Upper / Lower)	No
Fan	No
Input Power	1650W
Cooking Modes	
MWO Mode	MWO
	Auto Defrost
	Auto Reheat
	Keep Warm (MWO)
	Power Level (MWO)
Combi-MWO Mode (MWO + Oven)	MWO + Grill
	MWO + Convection
	MWO + Roast
Oven Mode	Steam Generator
	Steam + Convection
	Steam + Reheat
	Convection
	Roasting (Convection + Top)
	Heat
	Conventional
	Grill
	Fan Grill
	Pizza (Convection + Bottom)
	Intensive (Top + Bottom + Convection)
Vegetable Function	Pro-Roasting
Multi-level Cook Mode	Eco Convection
Keep Warm Mode	
Deodorization	
Auto Cook Recipes	20 EA (Auto Cook 15 EA, Auto Defrost 5 EA)
Control Features	
	Clock
	Child Safety Lock
	Cook Time
	End Timer
	Oven Temp
	Sound
	Sound On / Off (Hidden)
	Demo Mode
Equipment Supplied	
Accessory	Ceramic Tray
	Baking Tray
	Wire Rack
	Wire Tray Insert
	Steam Tray
Application Dimensions	
Dimension (W x H x D)	Outside
	Cutout
	Shipping
Capacity	Usable Capacity

Models Microwave Oven



Model Code	MG22M8074AT	MS22M8074AT	MS22M8054AK
General			
Capacity	0.7 cu.ft. / 22 Litre	0.7 cu.ft. / 22 Litre	0.7 cu.ft. / 22 Litre
Type	Built-In	Built-In	Built-In
Installation	Grill	Solo	Solo
Heat Source	230V / 50Hz	230V / 50Hz	230V / 50Hz
Power	800W	850W	800W
Power Source	800W	N/A	N/A
Output Power (Microwave)	1100W	N/A	N/A
Output Power (Grill)	N/A	1250W	1250W
Output Power (Convection)	1300W	1250W	1250W
Power Consumption	2400W	1250W	1250W
Max Output Power	LED / Ice blue	LED / Ice blue	LED / Ice blue
Display	Type	N/A	N/A
Language Option	Yes (Moisture)	Yes (Moisture)	No
Sensor	Touch	Touch	Touch
Control Method	Push button	Push button	Push button
Door Open Mechanism	Turntable	Turntable	Turntable
MW Distribution Mechanism	Features		
Keep Warm (Food)	Yes	Yes	Yes
Power Level	6	6	6
Time Control	Touch (+, -)	Touch (+, -)	Touch (+, -)
Weight / Serving Control	Touch (+, -)	Touch (+, -)	Touch (+, -)
One Minute / 30 secs Plus	30 secs Plus	30 secs Plus	30 secs Plus
Turntable on / off	No	No	No
Defrost (Auto / Power / Sensor)	Yes	Yes	Yes
Auto Reheat/cook	Yes	Yes	Yes
Auto Crusty cook	No	No	No
Auto Power Steam cook	No	No	No
Sensor Cook	Yes	Yes	No
Child Lock	Yes	Yes	Yes
Materials & Finishes			
Cabinet Colour	Black	Black	Black
Door Colour	Black	Black	Black
Cavity Interior	Ceramic Enamel	Ceramic Enamel	Ceramic Enamel
Turntable	Glass	Glass	Glass
Material	Diameter255mm	Diameter255mm	Diameter255mm
Size	Yes	N/A	N/A
Grill Heater	Accessory		
Grill Rack	Yes	N/A	N/A
Crusty Plate	N/A	N/A	N/A
Physical Specification			
Dimension (W x H x D)	Cavity	330 x 224 x 292	330 x 224 x 292
	Outside	595 x 380 x 320	595 x 380 x 320
	Shipping	706 x 466 x 434	706 x 466 x 434
Weight (Kg)	Weight (Net)	15.5 Kg	14.5 Kg
	Weight (Shipping)	18.5 Kg	17.8 Kg

Models Induction Cooktop



Model Code	NZ84J9770EK	NZ84F7NC6AB	NZ64N9777GK	NZ64N9777BK	NZ64N7777GK
Dimensions (W x D x H)					
Outside (Max.)	800 x 520 x 56	800 x 520 x 56	600 x 520 x 56	600 x 520 x 56	600 x 520 x 56
Packing	902 x 594 x 139	900 x 582 x 146	712 x 594 x 149	712 x 594 x 149	712 x 594 x 149
Cut-out Size	750 x 490	750 x 490	560 x 490	560 x 490	560 x 490
Features					
Surface	Frame	3 Bevel	3 Bevel	1 Bevel	1 Bevel
Display	Control Method	Magnetic Knob	Dedicated Control	Common Control	Common Control
	Type	Integrated Knob Dial	Sliding & Direct Access	Sliding & Direct Access	Sliding & Direct Access
	LED Colour	Ice Blue	New Amber	Ice Blue	Ice Blue
	Virtual Flame	Ice Blue	No	Ice Blue	Ice Blue
Power	140mm	No	No	No	No
	145mm	No	1.2 / 2.0K(B)	1.4 / 2.0K(B)	1.4 / 2.0K(B)
	160mm	No	1.2 / 2.0K(B)	No	No
	180mm	No	No	No	No
	210mm	No	No	2.2 / 3.2K(B)	2.2 / 3.2K(B)
	220mm	2.2 / 3.2K(B)	No	No	No
	280mm	No	2.4 / 3.6K(B)	No	No
	Flex Zone (Front)	1.8 / 2.6K(B)	1.8 / 2.6K(B)	1.8 / 2.6K(B)	1.8 / 2.6K(B)
	Flex Zone (Centre)	No	No	1.8 / 3.0K(B)	1.8 / 3.0K(B)
	Flex Zone (Rear)	1.8 / 2.6K(B)	1.8 / 2.6K(B)	1.8 / 2.6K(B)	1.8 / 2.6K(B)
	Flex Zone TOT	3.3 / 3.6K(B)	3.3 / 3.6K(B)	3.3 / 3.6K(B)	3.3 / 3.6K(B)
	Total Power	7.0kW	7.2kW	7.2kW	7.2kW
	Q'ty of Booster	4	4	4	4
Safety Function	Residual Heat Indicator	2 Stage	2 Stage	2 Stage	2 Stage
	Small Utensil Detection	Yes	Yes	Yes	Yes
	Auto Pan Detection	Yes	Yes	Yes	Yes
	Safety Shutoff	Yes	Yes	Yes	Yes
	Child Safety Lock	Yes	Yes	Yes	Yes
	High Temp Limit	Yes	Yes	Yes	Yes
Control Feature	Wi-Fi	No	No	Yes	No
	Sound On / Off Hidden Lock	Yes	Yes	Yes	Yes
	Power Level	15 + Booster	15 + Booster	15 + Booster	15 + Booster
	Timer	99min	99min	99min	99min
	Power Control	Yes	Yes	Yes	Yes
	Direct Access	Yes	Yes	Yes	Yes
	Power On / Off	Yes	Yes	Yes	Yes
	Pan Grilling	No	No	No	No
	Pause	Yes	Yes	Yes	Yes
	Quick Start	Yes	No	Yes	Yes
	Demo Mode	Yes	Yes	Yes	Yes
	Quick Stop	Yes	Yes	Yes	Yes
	Keep Warm	Yes	Yes	Yes	Yes
	Up Timer	Yes	No	No	No
	Down Timer	Yes	No	Yes	Yes
Energy Eff.	Stand By Power Consumption	Under 0.5W	Under 0.5W	Under 0.5W	Under 0.5W
Noise	Noise Level (Operating)	Under 43dB	Under 43dB	Under 43dB	Under 43dB
Power Cable	Power Cable Type	5 Wire	5 Wire	5 Wire	5 Wire
Weight	Net / Gross	16.5Kg / 19.5Kg	15.5Kg / 18.5Kg	13.2Kg / 16.1Kg	13.2Kg / 16.1Kg
Dimension	Flex Size	225 x 435mm	195 x 390mm	240 x 380mm	240 x 380mm

Models Warming Drawer



Model Code	NL20J7100WB
Design	Glass/Stainless Steel Frame
Features	
Size	600 x 150
Cut-out	560 x 550 x 150
Handle	Push & Pull Door
Rail	Telescopic Rail
Weight Capacity	25kg
Temp Range	Mechanic Knob
Energy Consumption	30-80°C
Safe Opening & Closing	420W
Control	Anti-slip Mat
Dimension	LED Status Lamp
Remark	595 x 545 x 140
	Push-pull Tolerance : 21mm
	Door Gap Between Compact and Warmer : 8mm

Models Induction Cooktop



Model Code	NZ64H37070K	NZ64N7757GK	NZ64K7757BK
Dimensions (W x D x H)			
	Outside (Max.)	590 x 520 x 57	600 x 520 x 56
	Packing	690 x 645 x 115	712 x 594 x 149
	Cut-out Size	560 x 490	560 x 490
Features			
Surface	Frame	1 Bevel	1 Bevel
Display	Control Method	Common Control	Common Control
	Type	Sliding & Direct Access	Sliding & Direct Access
	LED Colour	Red	New Amber
	Virtual Flame	N/A	N/A
Power	140mm	1.25/1.5k(B)	No
	145mm	No	1.4 / 2.0K(B)
	160mm	No	No
	180mm	No	No
	210mm	No	2.2 / 3.2K(B)
	220mm	2.35/2.6k(B)	No
	280mm	No	No
	Flex Zone (Front)	N/A	1.8 / 2.6K(B)
	Flex Zone (Centre)	N/A	1.8 / 3.0K(B)
	Flex Zone (Rear)	N/A	1.8 / 2.6K(B)
	Flex Zone TOT	N/A	3.3 / 3.6K(B)
	Total Power	7.2kW	7.2kW
	Qty of Booster	4	4
Safety Function	Residual Heat Indicator	2 Stage	2 Stage
	Small Utensil Detection	Yes	Yes
	Auto Pan Detection	Yes	Yes
	Safety Shutoff	Yes	Yes
	Child Safety Lock	Yes	Yes
	High Temp Limit	Yes	Yes
Control Feature	WiFi	No	Yes
	Sound On / Off Hidden Lock	Yes	Yes
	Power Level	9 + Booster	15 + Booster
	Timer	99min	99min
	Power Control	Yes	Yes
	Direct Access	Yes	Yes
	Power On / Off	Yes	Yes
	Pan Grilling	No	No
	Pause	No	Yes
	Quick Start	No	Yes
	Demo Mode	Yes	Yes
	Quick Stop	No	Yes
	Keep Warm	No	Yes
	Up Timer	No	No
	Down Timer	Yes	Yes
Energy Eff.	Stand By Power Consumption	Under 0.5W	Under 0.5W
Noise	Noise Level (Operating)	Under 43dB	Under 43dB
Power Cable	Power Cable Type	5 Wire	5 Wire
Weight	Net / Gross	10.5kg/12.0kg	13Kg / 15.9Kg
Dimension	Flex Size	N/A	240 x 380mm

Models Ceramic Cooktop



Model Code	C61R1AAMST	
Dimensions (W x D x H)		
	Outside (Max.)	575 x 505 x 20
	Packing	683 x 593 x 172
	Cut-out Size	560 x 490
Features		
Surface	Frame	4 Stainless Steel
Display	Control Method	Common Control
	Type	Touch
	LED Colour	New Amber
	LED Indicator	No
Power	140mm	No
	145mm	1.2kw x2
	160mm	No
	180mm	1.8kw x2
	210mm	No
	220mm	No
	280mm	No
	Flex Zone (Front)	No
	Flex Zone (Centre)	No
	Flex Zone (Rear)	No
	Flex Zone TOT	No
	Total Power	6 kw
	Qty of Booster	No
Safety Function	Residual Heat Indicator	Yes
	Small Utensil Detection	No
	Auto Pan Detection	No
	Safety Shutoff	Yes
	Child Safety Lock	Yes
	High Temp Limit	No
Control Feature	WiFi	No
	Sound On / Off Hidden Lock	No
	Power Level	TBC
	Timer	No
	Power Control	Yes
	Direct Access	No
	Power On / Off	Yes
	Pan Grilling	No
	Pause	No
	Quick Start	No
	Demo Mode	No
	Quick Stop	No
	Keep Warm	No
	Up Timer	No
	Down Timer	No
Energy Eff.	Stand By Power Consumption	Under 0.5W
Noise	Noise Level (Operating)	Under 43dB
Power Cable	Power Cable Type	5 Wire
Weight	Net / Gross	7.5kg/9.5kg
Dimension	Flex Size	No

Models Gas Cooktop



Model Code	NA75J3030AS	NA64H3000AK	NA64H3010AS
Mains Specifications	Square	Square	Square
Width (cm)	75	60	60
Gas Cooking Zones	5	4	4
Colour	Stainless Steel	Black Tempered Glass	Stainless Steel
Pan Supports	Cast-iron (Wok Pan support Included)	Cast-iron	Cast-iron
Wok Grate	No	No	No
Knob Design	Neo	Neo	Neo
Burner Features			
Gas	Triple Crown	No	No
	Rapid	3.0kW x 1	3.3kW x 2
	Semi-rapid	2.0kW x 1	2.0kW x 1
	Auxiliary	1.0kW x 1	1.0kW x 1
	Total	11.8kW	9.6kW
Safety Functions			
Flame Failure Device	Yes	Yes	Yes
Convenience			
One Hand Ignition	Yes	Yes	Yes
Installation/Connection			
Gas Power Consumption (W)	1.0W	1.0W	1.0W
Power Cord without Plug	Yes	Yes	Yes
Power Supply	220~240V, 50 / 60Hz	220~240V, 50 / 60Hz	220~240V, 50 / 60Hz
Delivery Status	Natural Gas	Natural Gas	Natural Gas
Additional Injectors	LPG Conversion Injectors Included	LPG Conversion Injectors Included	LPG Conversion Injectors Included
Dimensions/Weight			
Net Weight (kg)	15.6 (Include Wok)	14.8	10.6
Cut-out Size (W x L mm)	560 x 490	560 x 490	560 x 490
Net Dimension (W x D x H mm)	750 x 510 x 98	600 x 520 x 99	600 x 510 x 90

Models Hood



Model Code	NK36M7070VS	NK24M7070VS	NK36N9804VB	NK24N9804VB
Type	Vertical (Inox)	Vertical (Inox)	Vertical (Glass)	Vertical (Glass)
Mains Specifications				
References	Stainless Steel A430	Stainless Steel A430	Glass / Painted Body	Glass / Painted Body
Size (cm)	90	60	90	60
Model Type Install	Wall-mount	Wall-mount	Wall-mount	Wall-mount
Technical Specifications				
Type of Controls	Touch Control (DGT)	Touch Control (DGT)	Touch control (DGT)	Touch control (DGT)
Energy Efficiency Class	B	B	A+	A+
Display Colour	Ice Blue	Ice Blue	Ice Blue	Ice Blue
Extraction Type	Ducting or Recirculating	Ducting or Recirculating	Ducting or Recirculating	Ducting or Recirculating
Number of Motors / Fans	1 / 1	1 / 1	1 / 1	1 / 1
Number of Extraction speeds	4 (3 + Booster)	4 (3 + Booster)	4 (3 + Booster)	4 (3 + Booster)
Max Extraction (m ³ / hr)	585	585	560	560
Boost Extraction (m ³ / hr)	729	729	737	737
Max Sound Power (dBA)	68	68	66	66
Boost Sound Power (dBA)	73	73	72	72
Lighting	2 x 2.5W LED	2 x 2.5W LED	1 x 7W LED Bar	1 x 7W LED Bar
Number of Metallic Filter (Aluminium)	2	1	2	1
Number of Charcoal Filter	2	2	2	2
Total Power of Connection (W)	265	265	167	167
Ducting Diameter (mm)	150	150	150	150
Clean Air	No	No	No	No
Saturation Filter Lamps	Yes	Yes	Yes	Yes
Timer	Yes	Yes	Yes	Yes
Booster	Yes	Yes	Yes	Yes
Air Diverter	Yes	Yes	No	No
Charcoal Filter	No	No	Yes	Yes
Bluetooth	No	No	Yes	Yes
Automatic Control (Sensor)	No	No	Yes (Vapour)mk	Yes (Vapour)
Accessories (Optional)				
Charcoal Filter Reference	DG81-02279A	DG81-02279A	CFC0038668	CFC0038668
Dimensions				
Gross Weight	30.8	24.5	30.8	24.5
Net Weight	23.3	19.2	23.3	19.2
Gross Dimensions (W x D x H)	1034 x 915 x 433	759 x 915 x 433	1034 x 915 x 433	759 x 915 x 433
Net Dimensions (W x D x H)	Min. 1,040~ Max. 1,440 x 898 x 137	Min. 1,040~ Max. 1,440 x 598 x 137	Min. 1,050~ Max. 1,486 x 898 x 386	Min. 1,050~ Max. 1,486 x 598 x 386

Models Hood



Model Code	NK36N5703BS	NK24N5703BS	NK36M5070BM	NK24M5070BM
Type	T-type (Black Glass)	T-type (Black Glass)	T-type (Black Glass, Black Stainless Steel Matt)	T-type (Black Glass, Black Stainless Steel Matt)
Mains Specifications				
References	Stainless Steel A430 + Black Glass	Stainless Steel A430 + Black Glass	Matt Black + Black Glass	Matt Black + Black Glass
Size (cm)	90	60	90	60
Model Type Install	Wall-mount	Wall-mount	Wall-mount	Wall-mount
Technical Specifications				
Type of Controls	Touch Control (DGT)	Touch Control (DGT)	Touch Control	Touch Control
Energy Efficiency Class	A	A	B	B
Display Colour	Ice Blue	Ice Blue	Ice Blue	Ice Blue
Extraction Type	Ducting or Recirculating	Ducting or Recirculating	Ducting or Recirculating	Ducting or Recirculating
Number of Motors / Fans	1 / 1	1 / 1	1 / 1	1 / 1
Number of Extraction speeds	4 (3 + Booster)	4 (3 + Booster)	4 (3 + Booster)	4 (3 + Booster)
Max Extraction (m ³ / hr)	622	622	531	531
Boost Extraction (m ³ / hr)	722	722	668	668
Max Sound Power (dBA)	72	72	70	70
Boost Sound Power (dBA)	75	75	75	75
Lighting	2 x 2.5W LED	2 x 2.5W LED	2 x 2.5W LED	2 x 2.5W LED
Number of Metallic Filter (Aluminium)	3	2	3	2
Number of Charcoal Filter	1	1	1	1
Total Power of Connection (W)	315	315	265	265
Ducting Diameter (mm)	150	150	150	150
Clean Air	No	No	No	No
Saturation Filter Lamps	Yes	Yes	Yes	Yes
Timer	Yes	Yes	Yes	Yes
Booster	Yes	Yes	Yes	Yes
Air Diverter	No	No	Yes	Yes
Charcoal Filter	Yes	Yes	No	No
Bluetooth	Yes	Yes	No	No
Automatic Control (Sensor)	No	No	No	No
Accessories (Optional)				
Charcoal Filter Reference	F00333/S	F00333/S	DG81-02294A	DG81-02294A
Dimensions				
Gross Weight	179	15.7	20	16.3
Net Weight	14.5	13.2	17	13.9
Gross Dimensions (W x D x H)	945 x 375 x 575	645 x 375 x 575	945 x 375 x 575	645 x 375 x 575
Net Dimensions (W x D x H)	Min. 619 ~ Max. 1147 x 900 x 450	Min. 619 ~ Max. 1147 x 600 x 450	Min. 619~ Max. 1,147 x 900 x 500	Min. 619~ Max. 1,147 x 600 x 500

Models Hood



Model Code	NK24N5703BM	NK36M5070CS	NK24M5070CS	NK24M3050PS
Type	T-type (Black Glass)	Glass (Curved)	Glass (Curved)	Chimney
Mains Specifications				
References	Stainless Steel A430 + Black Glass	Stainless Steel A430	Stainless Steel A430	Stainless Steel A430
Size (cm)	60	90	60	60
Model Type Install	Wall-mount	Wall-mount	Wall-mount	Wall-mount
Technical Specifications				
Type of Controls	Touch Control (Elica)	Touch Control	Touch Control	Push Button
Energy Efficiency Class	A	B	B	D
Display Colour	Ice Blue	Ice Blue	Ice Blue	No
Extraction Type	Ducting or Recirculating	Ducting or Recirculating	Ducting or Recirculating	Ducting or Recirculating
Number of Motors / Fans	1 / 1	1 / 1	1 / 1	1 / 1
Number of Extraction speeds	4 (3 + Booster)	4 (3 + Booster)	4 (3 + Booster)	3
Max Extraction (m ³ / hr)	622	558	558	512
Boost Extraction (m ³ / hr)	722	670	670	No
Max Sound Power (dBA)	72	69	69	70
Boost Sound Power (dBA)	75	73	73	No
Lighting	2 x 2.5W LED	2 x 2.5W LED	2 x 2.5W LED	2 x 28W Bulbs
Number of Metallic Filter (Aluminium)	2	1	1	2
Number of Charcoal Filter	1	1	1	2
Total Power of Connection (W)	315	255	255	236
Ducting Diameter (mm)	150	150	150	150
Clean Air	No	No	No	No
Saturation Filter Lamps	Yes	Yes	Yes	No
Timer	Yes	Yes	Yes	No
Booster	Yes	Yes	Yes	No
Air Diverter	No	Yes	Yes	Yes
Charcoal Filter	Yes	No	No	No
Bluetooth	Yes	No	No	No
Automatic Control (Sensor)	No	No	No	No
Accessories (Optional)				
Charcoal Filter Reference	F00333/S	DG81-02294A	DG81-02294A	DG81-02329A
Dimensions				
Gross Weight	15.7	17.3	16	8.7
Net Weight	13.2	14.5	13.3	6.9
Gross Dimensions (W x D x H)	645 x 375 x 575	945 x 415 x 575	645 x 375 x 575	652 x 293 x 510
Net Dimensions (W x D x H)	Min. 619 ~ Max. 1147 x 900 x 450	Min. 603~ Max. 1,130 x 900 x 450	Min. 603~ Max. 1,130 x 600 x 450	Min. 739~ Max. 1,061 x 600 x 450

Models Hood



Model Code	NK24M1030IS
Type	Slide-In
Mains Specifications	
References	Body / Bottom Grey Front Stainless Steel A430
Size (cm)	60
Model Type Install	Wall-mount
Technical Specifications	
Type of Controls	Push Button
Energy Efficiency Class	C
Display Colour	No
Extraction Type	Ducting or Recirculating
Number of Motors / Fans	1 / 1
Number of Extraction speeds	3
Max Extraction (m ³ / hr)	392
Boost Extraction (m ³ / hr)	-
Max Sound Power (dBA)	71
Boost Sound Power (dBA)	-
Lighting	2xLED 3W (Bulbs)
Number of Metallic Filter (Aluminium)	2
Number of Charcoal Filter	1
Total Power of Connection (W)	136
Ducting Diameter (mm)	120
Clean Air	No
Saturation Filter Lamps	No
Timer	No
Booster	No
Air Diverter	No
Charcoal Filter	Optional
Bluetooth	No
Automatic Control (Sensor)	No
Accessories (Optional)	
Charcoal Filter Reference	CFC0038000
Dimensions	
Gross Weight	6 / 7.5
Net Weight	6 / 7.5
Gross Dimensions (W x D x H)	354 x 241 x 634
Net Dimensions (W x D x H)	180 x 600 x 280

Models Fullsize Dishwasher

Fully Built-In



Model Code	DW60M9970BB
Project Name	DW9000M
Design	
Control Panel Location	Hidden
Control Type	Touch
Performance	
Capacity (Place Setting)	14
Energy Class	A+++
	Energy consumption (annual)
	237 kWh / year
	Energy consumption (cycle)
	0.83 kWh / cycle
Wash Performance	A
Drying Performance	A
	Auto Open
	Dry System
Water Consumption (L/ annual)	2716
Water Consumption (L/ cycle)	9.7
Noise Level (dBA)	41 dBA
Function	
Programs	Number of programs
	7
	Intensive
	Yes
	Auto
	Yes
	Normal
	-
	Delicate
	Yes
	Eco
	Yes
	Daily 55' (or Express)
	Yes
	Quick (38min)
	Yes
	Self Clean
	Yes
	Pre Wash
	-
Options	Number of options
	8
	Delay Start
	Yes
	Half Load
	Yes
	Sanitize
	Yes
	Hi-temp wash
	Yes
	Child Lock
	Yes
	Zone Booster
	Yes
	Speed Booster
	Yes
	WiFi
	Yes
Safety	Aqua Stop
Yes	Yes
InnerSystem	
Interior	Tub Material
	Stainless Steel
	Number of Wash Arm
	3
Upper	Basket handle
	Yes
	Foldable cup shelves
	Yes
	Adjustable Height
	Yes
	Fold down tines
	Yes
Lower	Basket handle
	Yes
	Fold down tines
	Yes
Cutlery	Cutlery Tray
	Yes
	Cutlery Basket
	No
Dimensions	
Net	Width (mm)
	598
	Height (mm)
	817
	Depth (mm)
	555
	Weight (Kg)
	45
Gross	Width (mm)
	670
	Height (mm)
	875
	Depth (mm)
	660
	Weight (Kg)
	48
Installation	
Electrical(Volts/Hertz)	220-240V / 50Hz / 10A
Heater Watts	2000-2300W
Circulation Motor	60 to 100W
Drain Pump	30W
Levelling screws	60mm

Models Fullsize Dishwasher

Fully Built-In

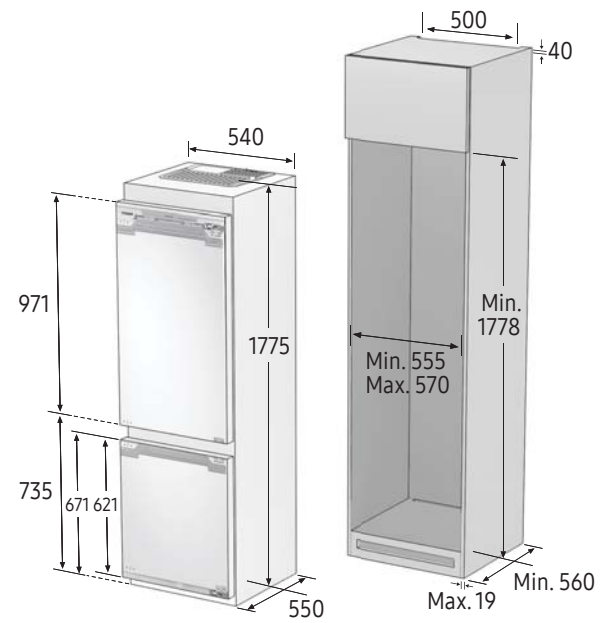


Model Code	DW60M6040BB	DW5000MM	DW50R4040BB
Project Name	DW5000M	DW5000MM	DW9000M
Design			
Control Panel Location	Hidden	Hidden	Hidden
Control Type	Touch	Touch	Touch
Performance			
Capacity (Place Setting)	13	13	14
Energy Class	A++	A+	A+++
	Energy consumption (annual)		
	262 kWh / year	295 kWh / year	237 kWh / year
	Energy consumption (cycle)		
	0.92 kWh / cycle	1.043 kWh / cycle	0.83 kWh / cycle
Wash Performance	A	A	A
Drying Performance	A	A	A
	Condensing	Condensing	Auto Open
Water Consumption (L/ annual)	2940	3360	2716
Water Consumption (L/ cycle)	10.5	12	9.7
Noise Level (dBA)	44 dBA	48 dBA	41 dBA
Function			
Programs	Number of programs		
	6	5	7
	Intensive	Yes	Yes
	Auto	Yes	Yes
	Normal	-	-
	Delicate	Yes	Yes
	Eco	Yes	Yes
	Daily 55' (or Express)	Yes	Yes
	Quick (38min)	-	Yes
	Self Clean	-	Yes
	Pre Wash	-	-
	Pre Wash	Yes	-
Options	Number of options		
	5	5	8
	Delay Start	1-24h	1-24h
	Half Load	Yes	Yes
	Sanitize	Yes	Yes
	Hi-temp wash	-	Yes
	Child Lock	Yes	Yes
	Zone Booster	-	Yes
	Speed Booster	-	Yes
	WiFi	-	Yes
	WiFi	Yes	Yes
Safety	Aqua Stop	Yes	Yes
Yes	Yes	Yes	Yes
InnerSystem			
Interior	Tub Material	Stainless Steel	Stainless Steel
	Number of Wash Arm	2	2
Upper	Basket handle	Yes	-
	Foldable cup shelves	Yes	Yes
	Adjustable Height	Yes (Auto)	Yes (Auto)
	Fold down tines	Yes	-
Lower	Basket handle	Yes	-
	Fold down tines	Yes	Yes
Cutlery	Cutlery Tray	No	-
	Cutlery Basket	Yes	Yes
Dimensions			
Net	Width (mm)	598	598
	Height (mm)	815	815
	Depth (mm)	550	550
	Weight (Kg)	43	43
Gross	Width (mm)	655	655
	Height (mm)	871	871
	Depth (mm)	645	645
	Weight (Kg)	50	50
Installation			
Electrical(Volts/Hertz)	220-240V / 50Hz	220-240V / 50Hz	220-240V / 50Hz / 10A
Heater Watts	1760-2100W	1760-2100W	2000-2300W
Circulation Motor	85W	85W	60 to 100W
Drain Pump	30W	30W	30W
Levelling screws	0 to 30mm	0 to 50mm	60mm

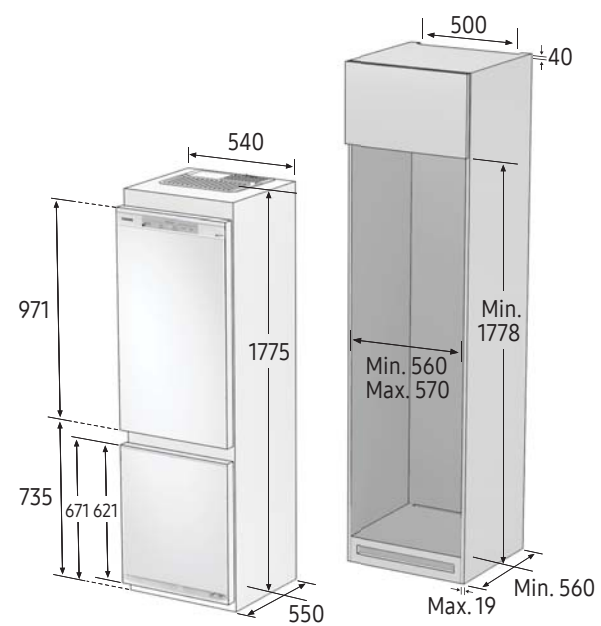
Models/Refrigeration

INSTALLATION GUIDE

BRB260130WW



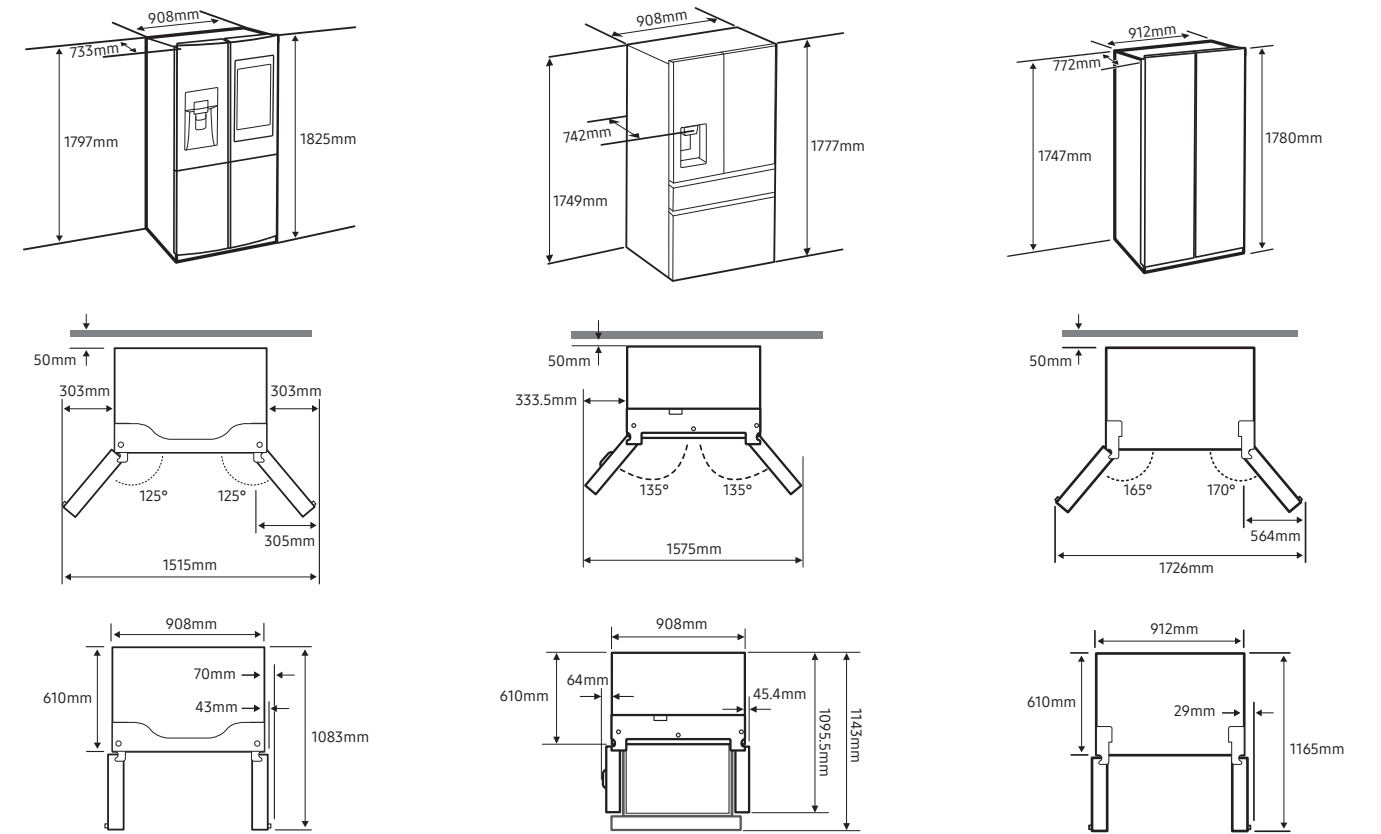
BRB260087WW, BRB260000WW



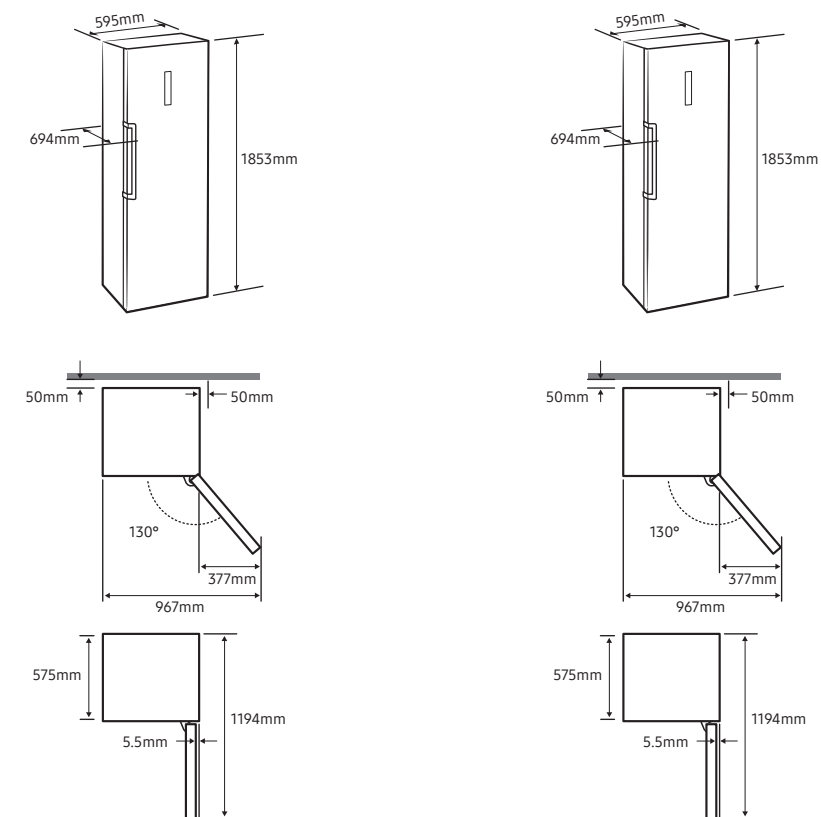
Models/Refrigeration

INSTALLATION GUIDE

RF56M9540SR, RF23M8080SR, RS67N8210S9



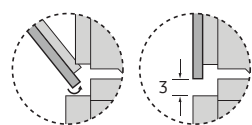
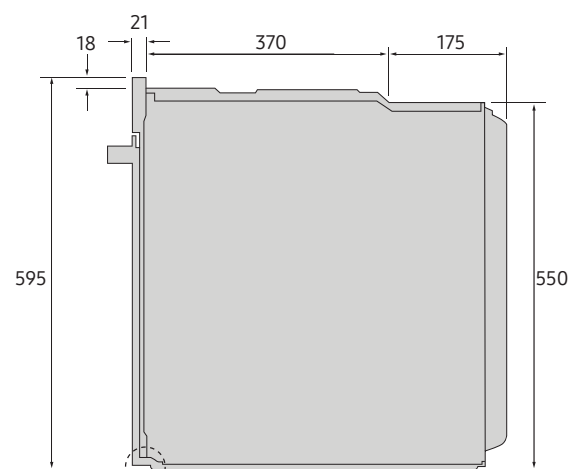
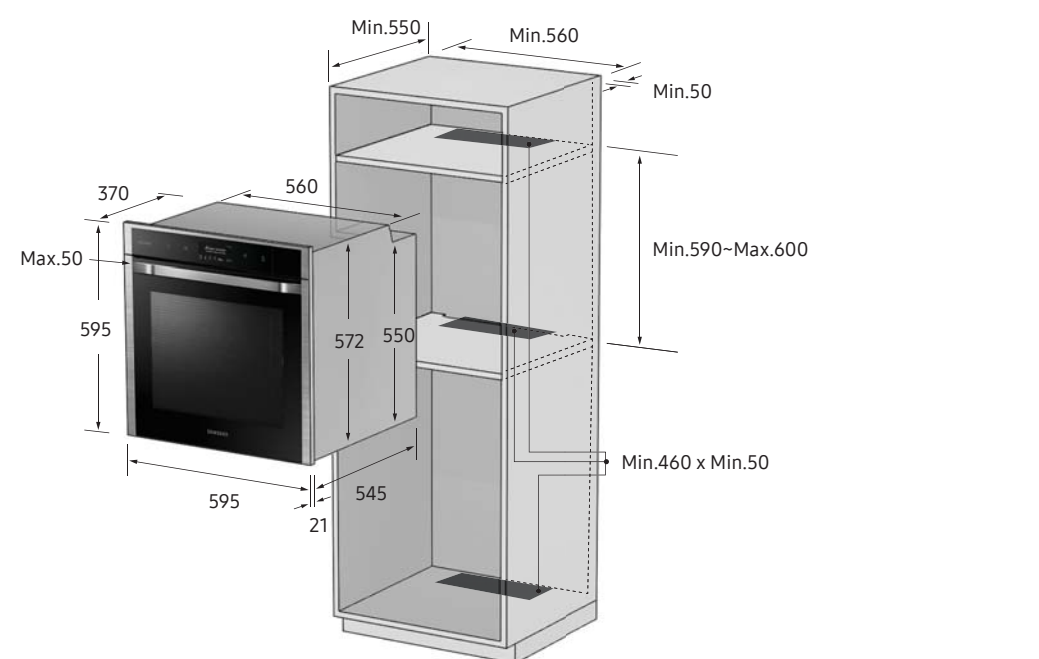
RZ32M71207F, RR39M73407F



Models/oven

INSTALLATION GUIDE

NV75N7677RS, NV75N7647RS, NV73N9770RM, NV73J9770RS, NV73J7740RS, NV75J7570RS, NV75J5540RS, NV75K5571RM, NV70K1340BS, NV70K1340BB

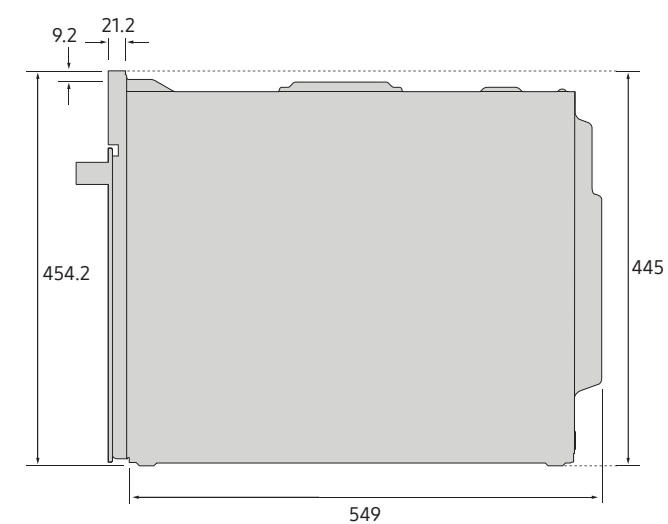
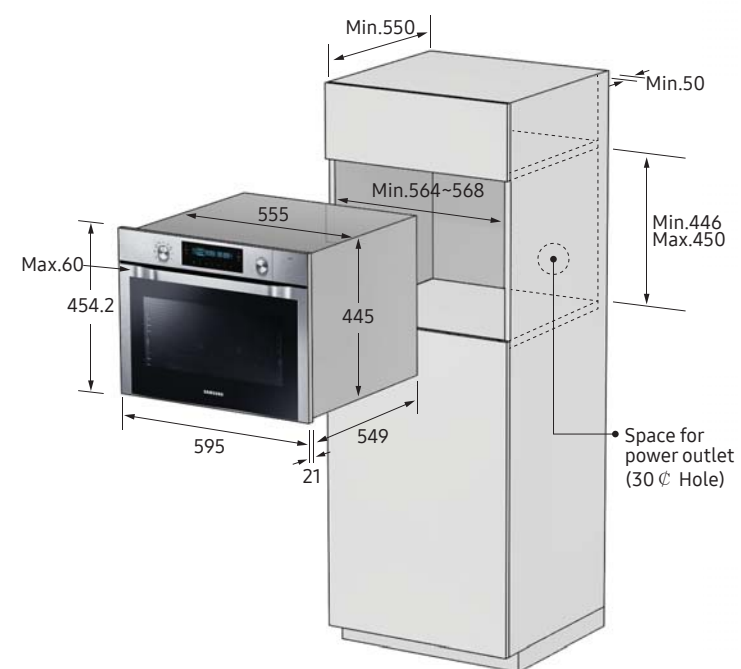


Secure at least 3mm of gap so that the door opens and closes smoothly

Models/Compact Oven

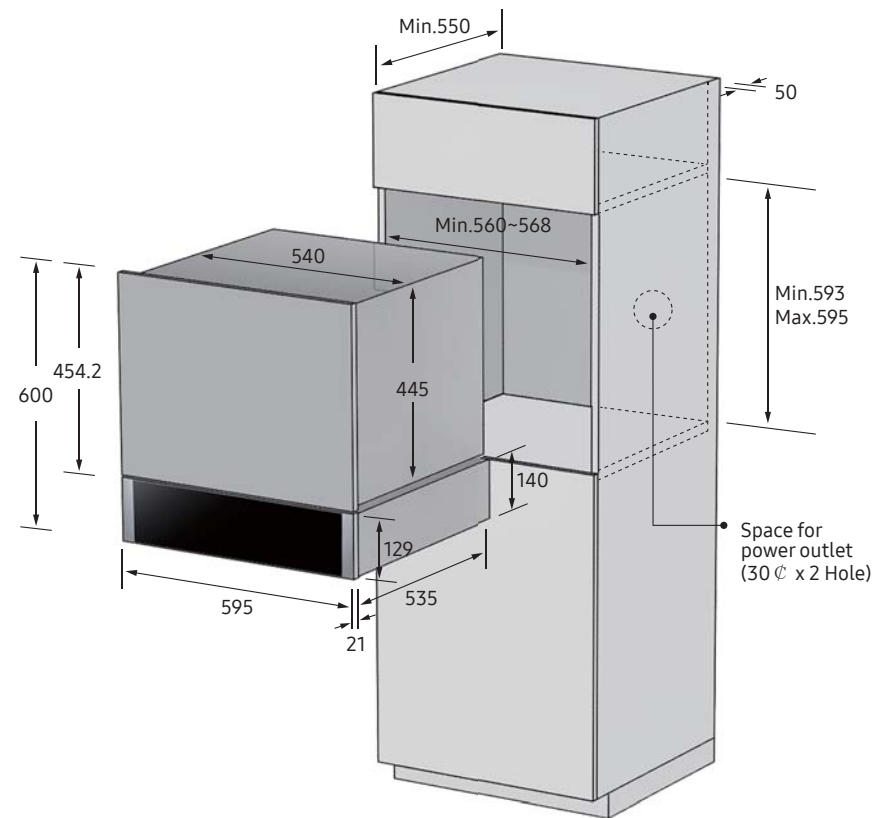
INSTALLATION GUIDE

NQ50N9530BM, NQ50J9530BS, NQ50J5530BS, NQ50K5130BS, NQ50K3130BM



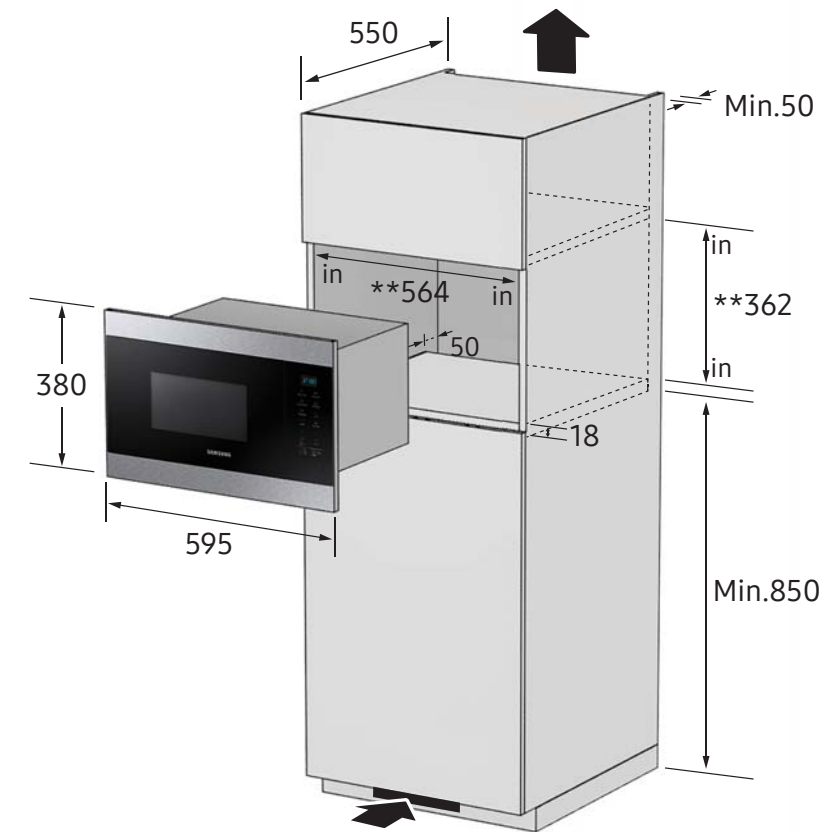
Models/warmer INSTALLATION GUIDE

NL20J7100WB



Models/Microwave Oven INSTALLATION GUIDE

MS22M8074AT

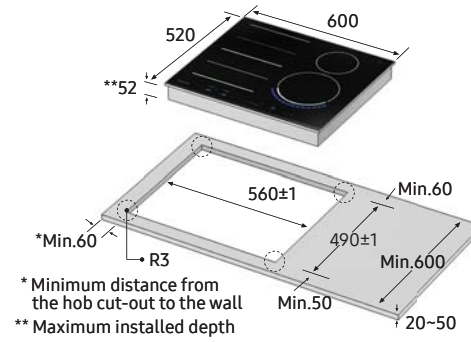
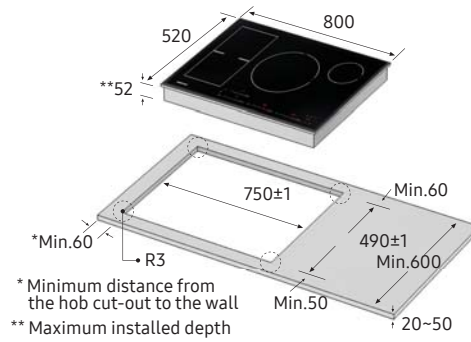
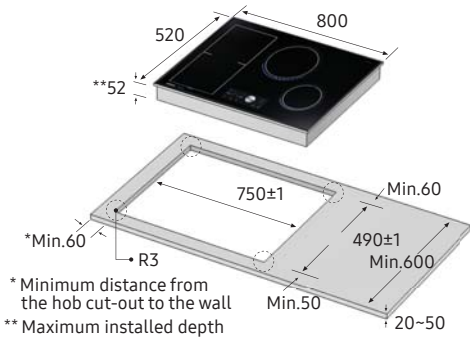


Models/Induction Cooktop INSTALLATION GUIDE

NZ84J9770EK

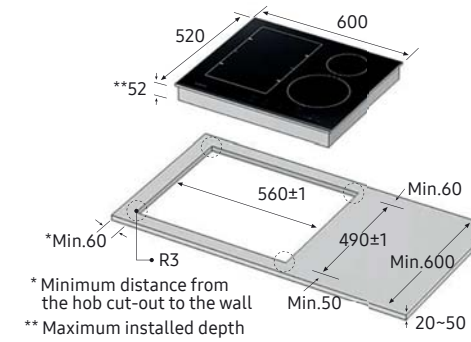
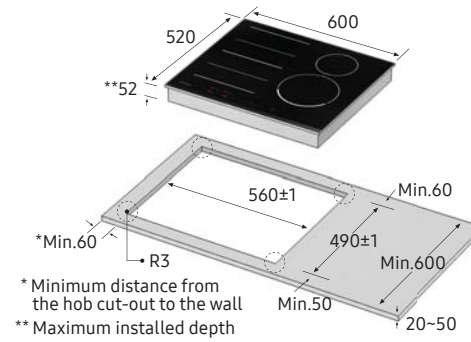
NZ84F7NC6AB

NZ64N9777GK



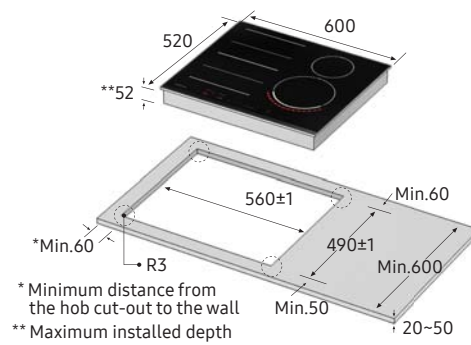
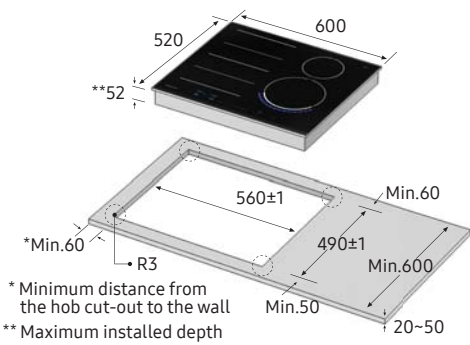
NZ64N7757GK

NZ64K7757BK

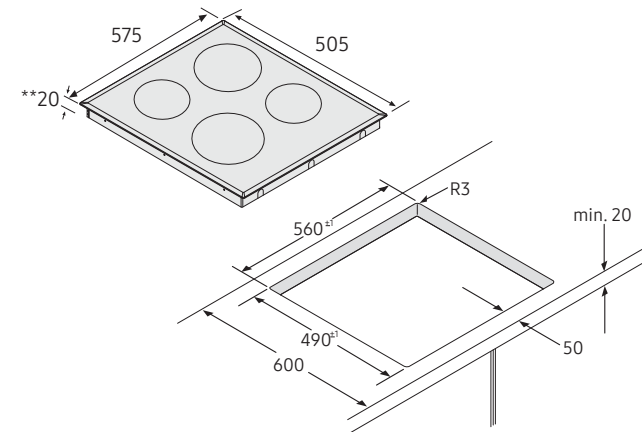


NZ64N9777BK

NZ64N7777GK



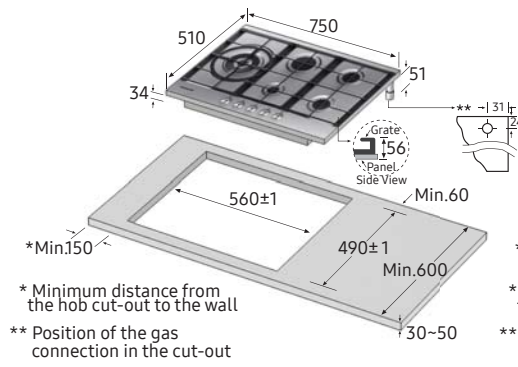
C61R1AAMST



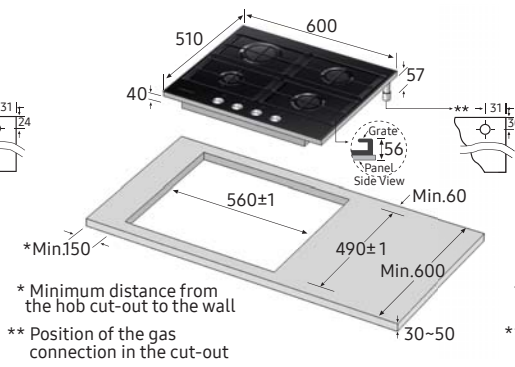
Models/Induction/Ceramic Cooktop INSTALLATION GUIDE

Models/Gas Cooktop INSTALLATION GUIDE

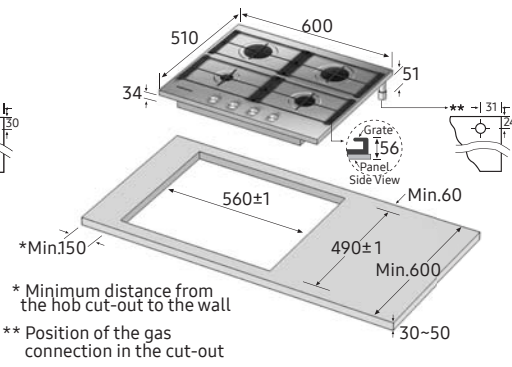
NA75J3030AS



NA64H3000AK

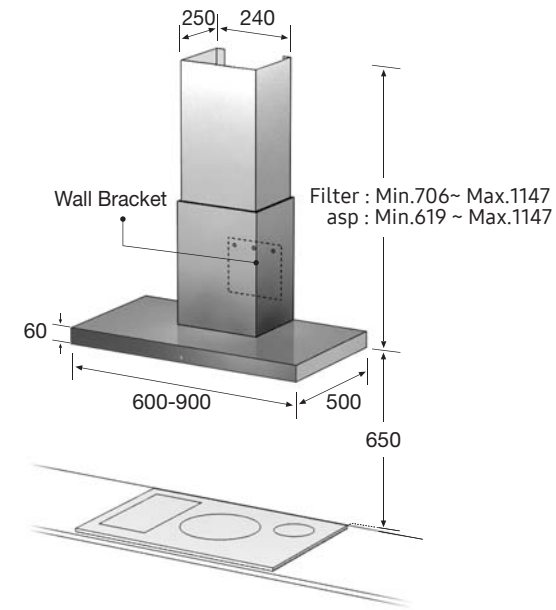


NA64H3010AS

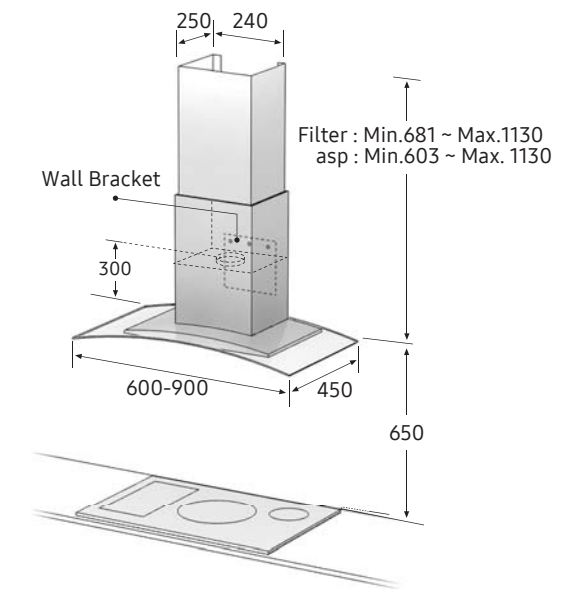


Models/Hood INSTALLATION GUIDE

NK36N5703BM 90cm, NK24N5703BM 60cm
NK24N5703BM 60cm

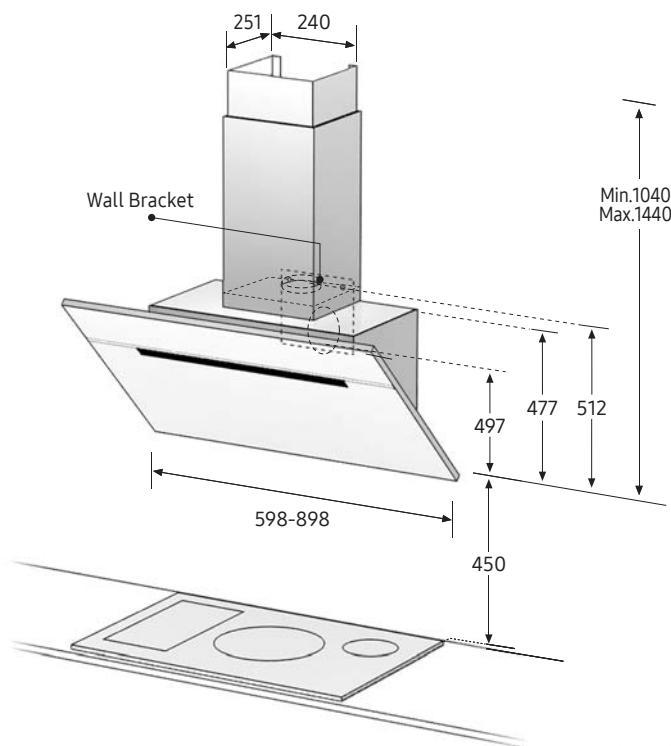


NK36M5070CS 90cm, NK24M5070CS 60cm

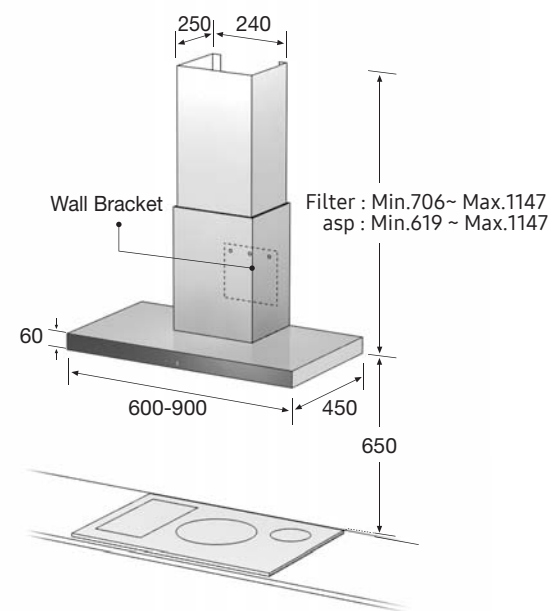


Models/Hood INSTALLATION GUIDE

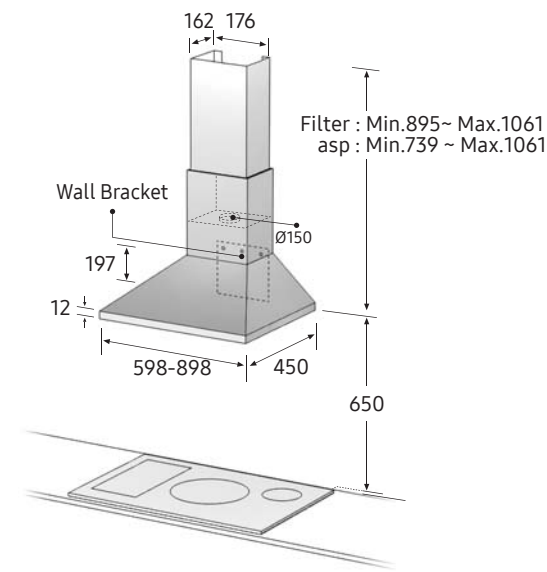
NK36M7070VS 90cm, NK24M7070VS 60cm
NK36N9804VB 90cm, NK24N9804VB 60cm



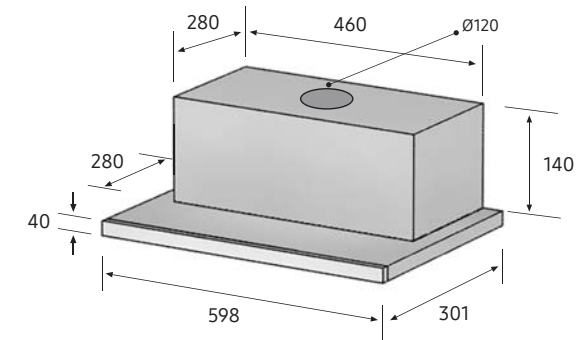
NK36N5703BS 90cm, NK24N5703BS 60cm



NK24M3050PS 60cm

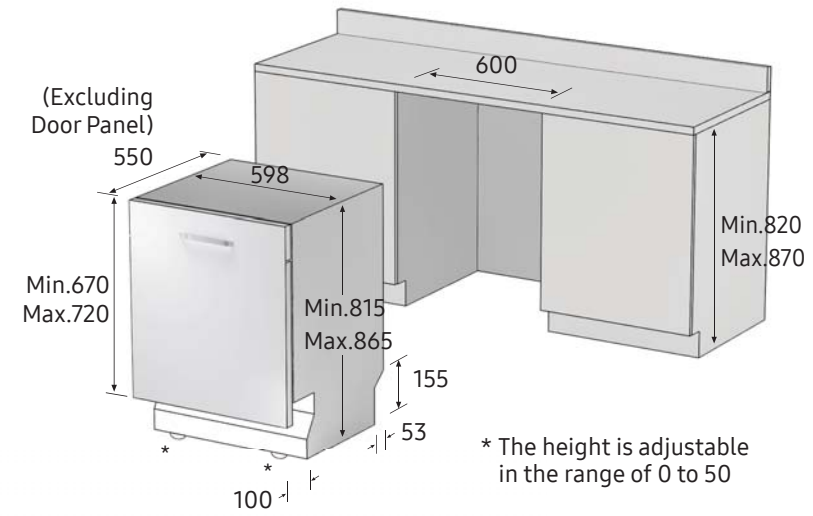


NK24M10301S 60cm



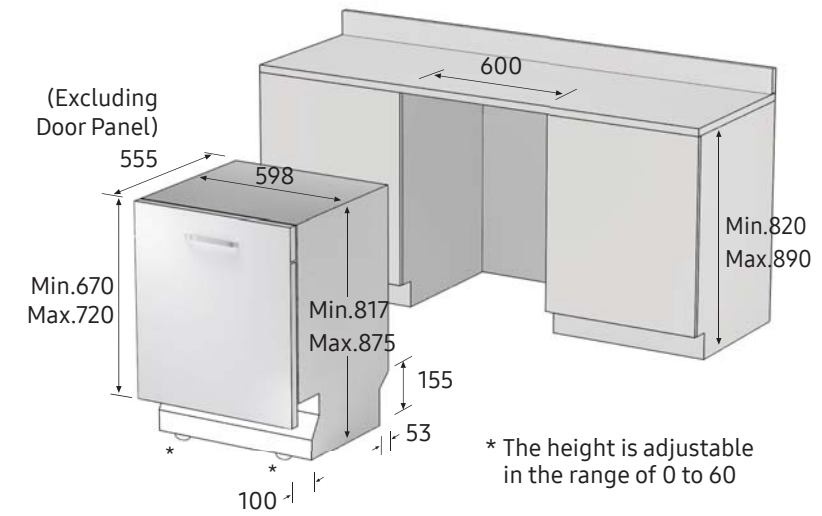
Models/Fullsize Dishwasher (Fully Built-In) INSTALLATION GUIDE

DW60M5050BB

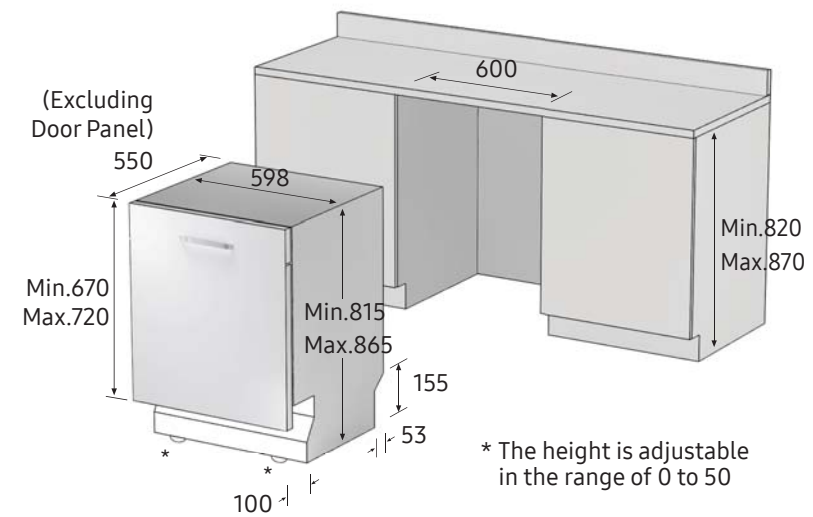


Models/Fullsize Dishwasher (Fully Built-In) INSTALLATION GUIDE

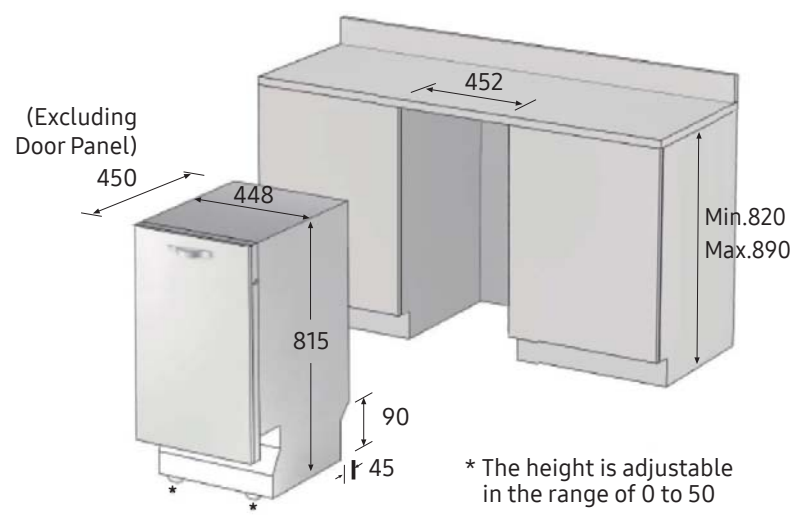
DW60M9970BB



DW60M6040BB



DW50R4040BB





Samsung Service

Samsung Customer Service is here to help you throughout the lifetime of your appliance. We provide everything from an expert repair service to helpful advice – giving you the level of service you expect from Samsung.

Repair

When you buy a Samsung appliance you choose reliability and the best in quality. If, however, you require any help, Samsung Service can provide rapid and reliable assistance.

Online Support

Many common issues can be easily solved with the correct advice. Our online FAQs give you helpful hints and tips to keep your appliance performing at its best.

<http://www.samsung.com/uk/support/category/homeappliance/>

Contact us

Our customer service advisors are here to help.

Please visit: <http://www.samsung.com/uk/support/> for more details or call us on 0330 726 7864 (consumers), 0330 726 1001 (trade).

Register your appliance and warranty

You should register all your appliances and warranties with Samsung to ensure we have full records in the event of any important product updates.

Please note selected models come with a free five year warranty on parts and labour which requires registration within 90 days of purchase, terms and conditions apply. www.samsung.com/uk/fiveyearwarranty/